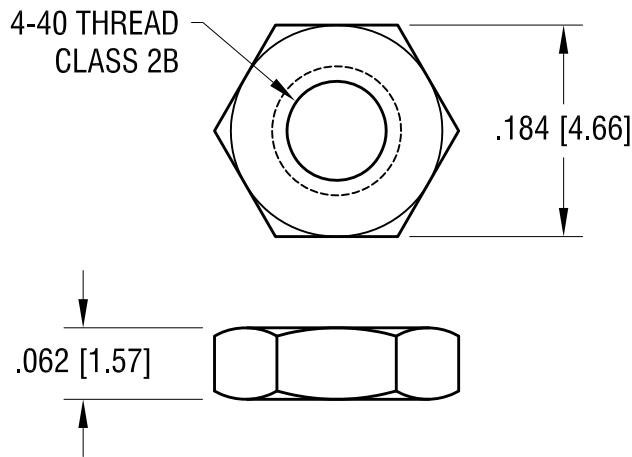


THIS DOCUMENT IS THE PROPERTY OF  
KEYSTONE ELECTRONICS CORP. AND  
SHALL NOT BE REPRODUCED, DISTRIBUTED  
OR USED AS A BASIS FOR MANUFACTURE  
WITHOUT PRIOR WRITTEN PERMISSION  
FROM KEYSTONE ELECTRONICS CORP.



**NOTE:**

- 1. FINISH: ZINC PLATE, TRIVALENT YELLOW CHROMATE

8.19.09	CHANGE AS PER ECN 09-118	B
5.9.05	CHANGE AS PER ECN 05-022	A
DATE	DESCRIPTION	REV.

<b>KEYSTONE ELECTRONICS CORP.</b>			
www.keyelco.com • ASTORIA, N.Y. 11105-2017 • Tel (718) 956-8900			
PART NAME		NUT, 4-40	
MATERIAL		STEEL	
FINISH		DRN BY	DATE
AS NOTED		BOONE	10.21.92
		APP'D	SCALE
		LN	6X
TOLERANCES	INCH [MM]	CODE	DWG NO.
DECIMAL	± .005 [± 0.15]	C/M	<b>7230-3</b>
ANGULAR	± 1°		
UNLESS OTHERWISE SPECIFIED			