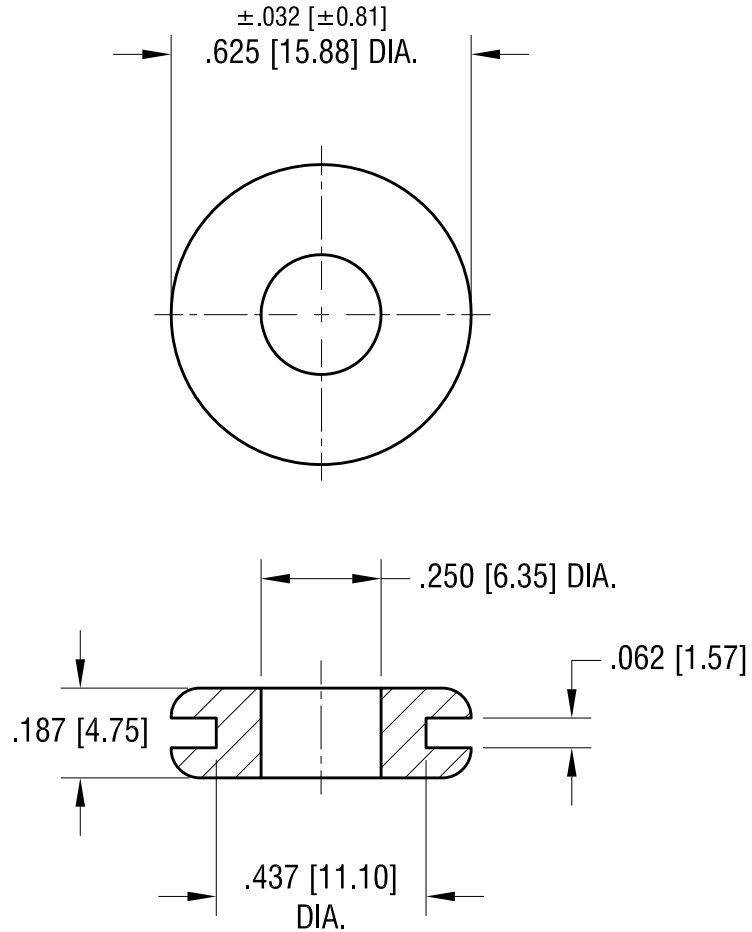


THIS DOCUMENT IS THE PROPERTY OF
KEYSTONE ELECTRONICS CORP. AND
SHALL NOT BE REPRODUCED, DISTRIBUTED
OR USED AS A BASIS FOR MANUFACTURE
WITHOUT PRIOR WRITTEN PERMISSION
FROM KEYSTONE ELECTRONICS CORP.



KEYSTONE ELECTRONICS CORP.

www.keyelco.com • NEW HYDE PARK, NY 11040 • Tel (516) 328-7500

PART NAME		RUBBER GROMMET	
MATERIAL		BUNA N	
FINISH	NONE	DRN BY	BOONE
		APP'D	LN
		DATE	9.16.96
		SCALE	2.5X
TOLERANCES	INCH [MM]	CODE	DWG NO.
DECIMAL	$\pm .020$ [± 0.50]	C	738
ANGULAR	$\pm 1^\circ$		
UNLESS OTHERWISE SPECIFIED			

1.02.08	CHANGE AS PER ECN 08-014	A
DATE	DESCRIPTION	REV.