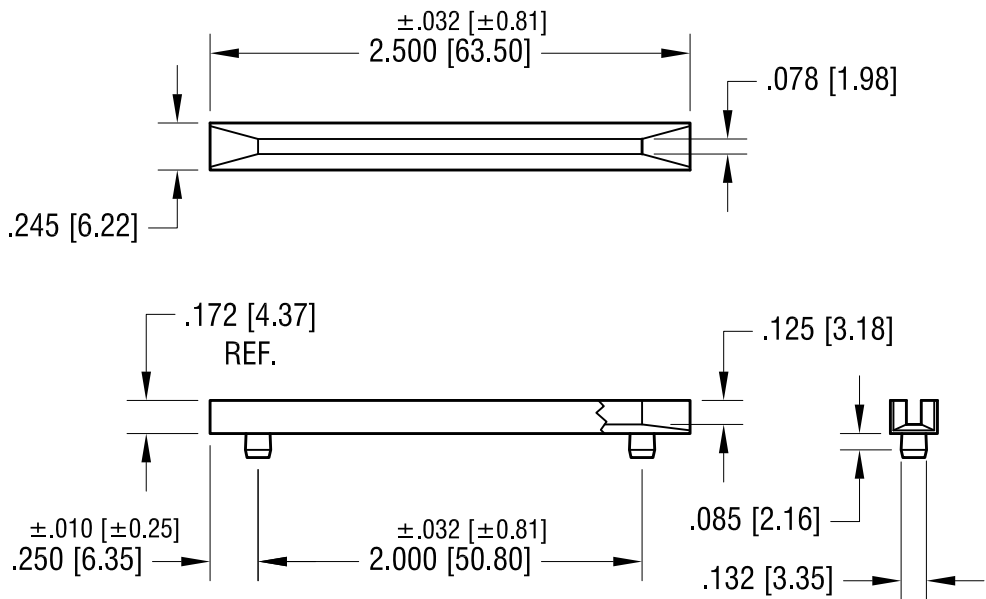
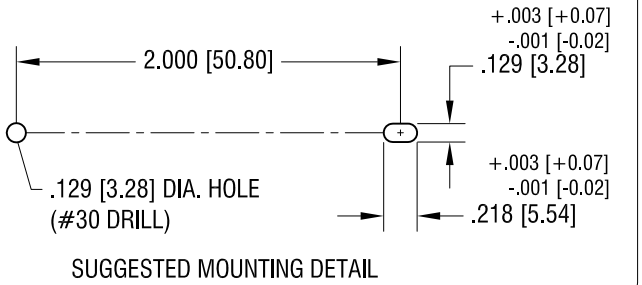


THIS DOCUMENT IS THE PROPERTY OF KEYSTONE ELECTRONICS CORP. AND SHALL NOT BE REPRODUCED, DISTRIBUTED OR USED AS A BASIS FOR MANUFACTURE WITHOUT PRIOR WRITTEN PERMISSION FROM KEYSTONE ELECTRONICS CORP.



<b>KEYSTONE ELECTRONICS CORP.</b>			
www.keyelco.com • ASTORIA, N.Y. 11105-2017 • Tel (718) 956-8900			
PART NAME		PC BOARD GUIDE	
MATERIAL		NATURAL NYLON 6/6 UL 94V-2	
FINISH	DRN BY	BOONE	DATE
-	APP'D	LN	3.7.00
			SCALE
			1X
TOLERANCES	INCH [MM]	CODE	DWG NO.
DECIMAL	± .005 [± 0.13]	C	<b>8620</b>
ANGULAR	± 1°		
UNLESS OTHERWISE SPECIFIED			

11.23.15	CHANGE AS PER ECN 15-138	A
DATE	DESCRIPTION	REV.