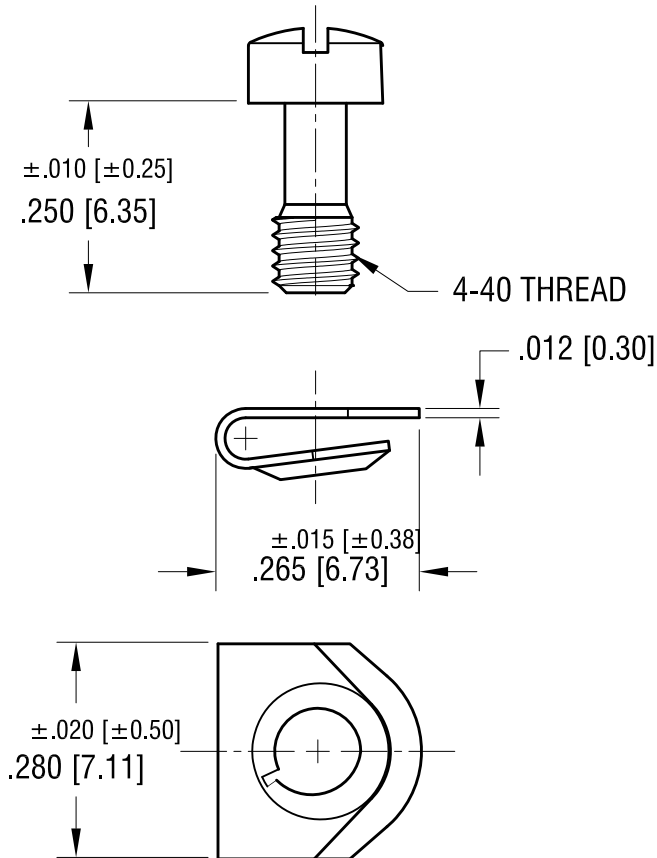


THIS DOCUMENT IS THE PROPERTY OF  
KEYSTONE ELECTRONICS CORP. AND  
SHALL NOT BE REPRODUCED, DISTRIBUTED  
OR USED AS A BASIS FOR MANUFACTURE  
WITHOUT PRIOR WRITTEN PERMISSION  
FROM KEYSTONE ELECTRONICS CORP.

ACTUAL SIZE



**NOTE:**

1. FINISH: ZINC PLATE, TRIVALENT AND YELLOW CHROMATE
2. SCREW SUPPLIED UNASSEMBLED

**KEYSTONE ELECTRONICS CORP.**

www.keyelco.com • NEW HYDE PARK, NY 11040 • Tel (516) 328-7500

PART NAME		LOCK ASSEMBLY 'U' TYPE	
MATERIAL		STEEL	
FINISH	AS NOTED	DRN BY	BOONE
		APP'D	LN
		DATE	1.24.97
		SCALE	4X
TOLERANCES	INCH [MM]	CODE	DWG NO.
DECIMAL	$\pm .005$ [ $\pm 0.13$ ]	C	2062
ANGULAR	$\pm 1^\circ$		
UNLESS OTHERWISE SPECIFIED			

9.10.08	CHANGE AS PER ECN 08-151	B
7.18.05	CHANGE AS PER ECN 05-049	A
DATE	DESCRIPTION	REV.