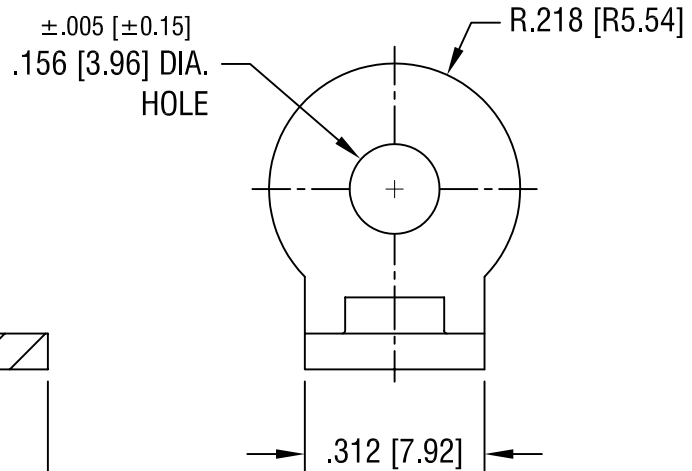
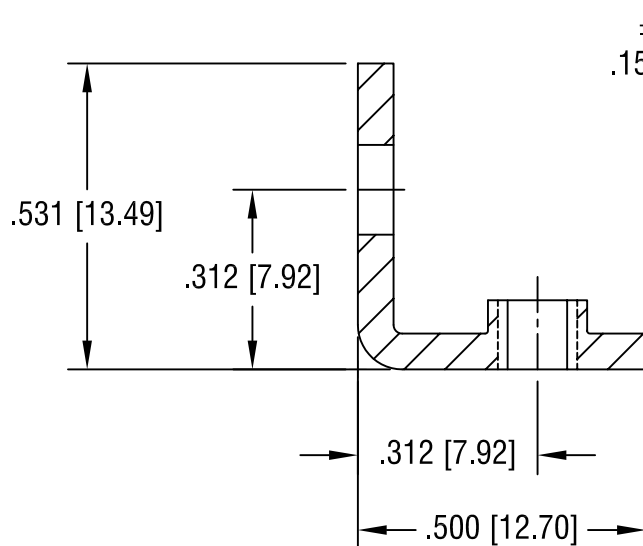
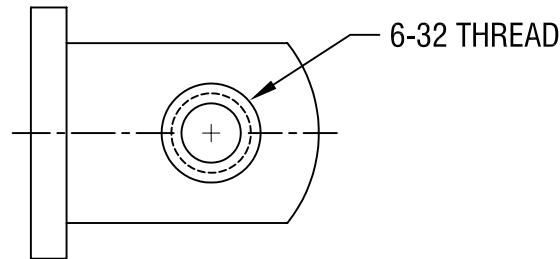


THIS DOCUMENT IS THE PROPERTY OF  
KEYSTONE ELECTRONICS CORP. AND  
SHALL NOT BE REPRODUCED, DISTRIBUTED  
OR USED AS A BASIS FOR MANUFACTURE  
WITHOUT PRIOR WRITTEN PERMISSION  
FROM KEYSTONE ELECTRONICS CORP.



**KEYSTONE ELECTRONICS CORP.**

ASTORIA, N.Y. 11105-2017

PART NAME

THREADED MOUNTING BRACKET

MATERIAL

.062 [1.57] TH'K BRASS

FINISH

NICKEL PLATE

DRN BY

BOONE

DATE

10.22.97

APP'D

LN

SCALE

3X

1.4.08 CHANGE AS PER ECN 08-029

A

TOLERANCES

INCH [MM]

CODE

DWG NO.

DECIMAL ±.010 [±0.25]

C

ANGULAR ± 1°  
UNLESS OTHERWISE SPECIFIED

4332

DATE

DESCRIPTION

REV.