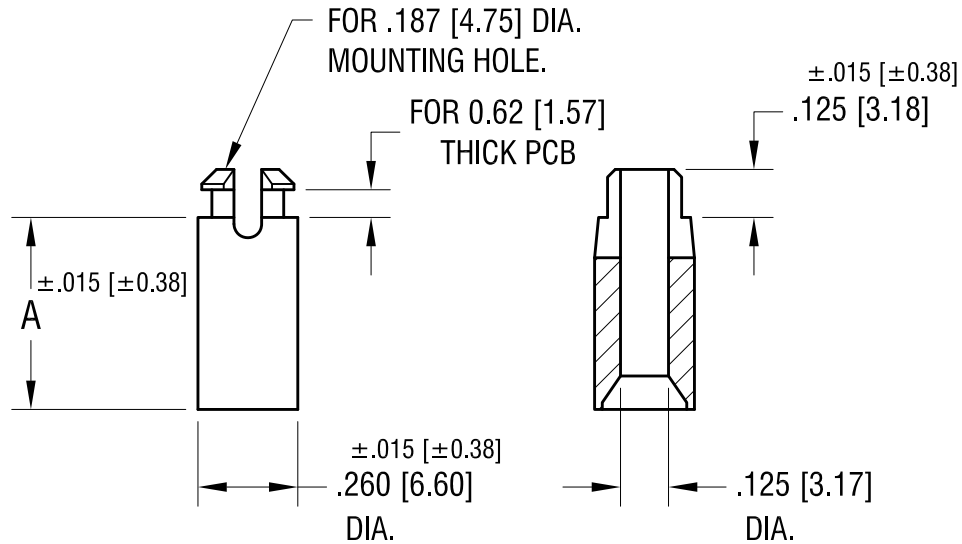


THIS DOCUMENT IS THE PROPERTY OF KEYSTONE ELECTRONICS CORP. AND SHALL NOT BE REPRODUCED, DISTRIBUTED OR USED AS A BASIS FOR MANUFACTURE WITHOUT PRIOR WRITTEN PERMISSION FROM KEYSTONE ELECTRONICS CORP.



PART NO.	'A' DIM.
8829	.125 [3.18]
8830	.187 [4.75]
8831	.250 [6.35]
8832	.375 [9.53]
8833	.500 [12.70]
8834	.625 [15.88]

11.03.09	CHANGE AS PER ECN 09-162	C
4.16.07	CHANGE AS PER ECN 07-016	B
1.19.99	CHANGE AS PER ECN 99-007	A
DATE	DESCRIPTION	REV.

**KEYSTONE ELECTRONICS CORP.**  
 www.keyelco.com • ASTORIA, N.Y. 11105-2017 • Tel (718) 956-8900

PART NAME  
 STACKING SPACER

MATERIAL  
 NYLON UL 94V-0

FINISH -	DRN BY BOONE	DATE 5.11.95
	APP'D LN	SCALE 2X

TOLERANCES INCH [MM]  
 DECIMAL  $\pm .005$  [ $\pm 0.13$ ]  
 ANGULAR  $\pm 1^\circ$   
 UNLESS OTHERWISE SPECIFIED

CODE  
 C

DWG NO.  
**8829-8834**