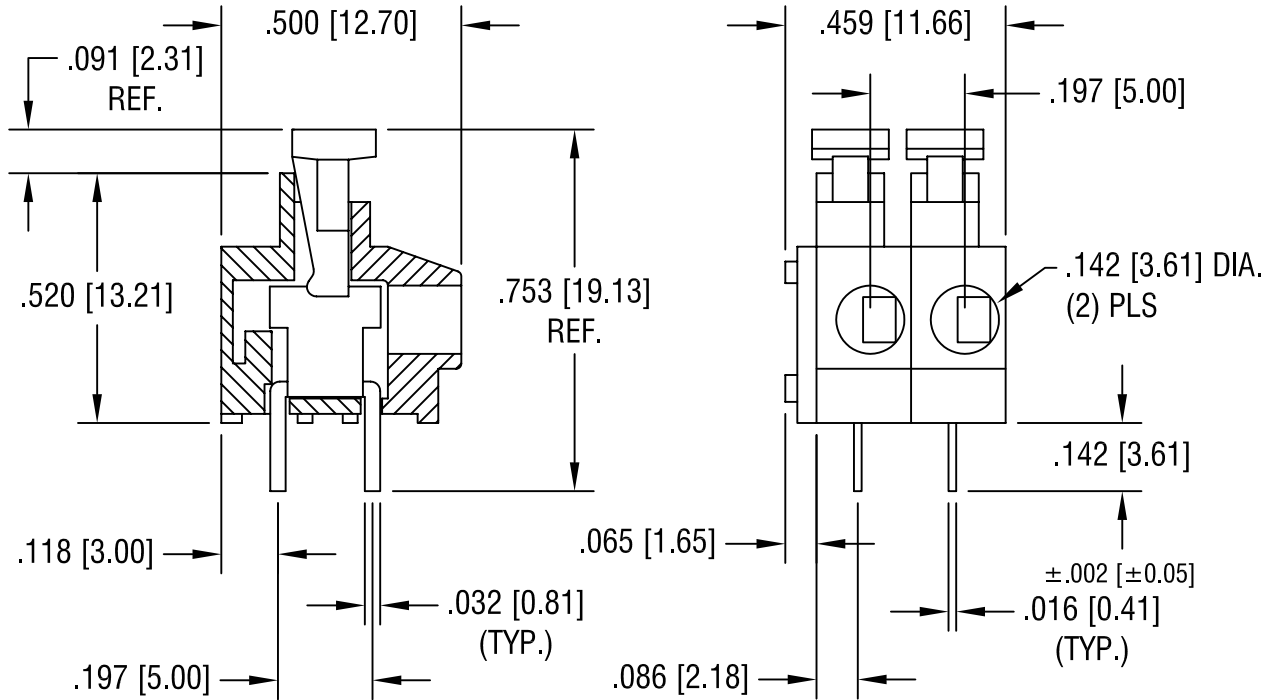
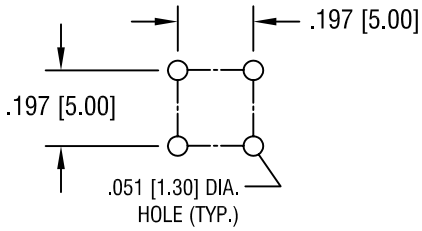


THIS DOCUMENT IS THE PROPERTY OF  
KEYSTONE ELECTRONICS CORP. AND  
SHALL NOT BE REPRODUCED, DISTRIBUTED  
OR USED AS A BASIS FOR MANUFACTURE  
WITHOUT PRIOR WRITTEN PERMISSION  
FROM KEYSTONE ELECTRONICS CORP.

MOUNTING DETAIL FOR  
(2) POSITIONS



NOTES:

- MAT'L:  
HOUSING: BLUE NYLON 6/6, UL 94V-0  
TERMINAL: BRASS, TIN PLATE  
CONTACT: STAINLESS STEEL

**KEYSTONE ELECTRONICS CORP.**

ASTORIA, N.Y. 11105-2017

PART NAME  
5mm 2 POS. PUSHBUTTON TERMINAL BLOCK

MATERIAL  
AS NOTED

FINISH AS NOTED	DRN BY	BOONE	DATE	10.7.98
	APP'D	LN	SCALE	2.5X

3.18.05	CHANGE AS PER ECN 05-018	A
---------	--------------------------	---

TOLERANCES	INCH	[MM]	CODE	DRW NO.
DECIMAL	$\pm .005$	$[\pm 0.15]$	C/M	8728
ANGULAR	$\pm 1^\circ$			
UNLESS OTHERWISE SPECIFIED				

DATE	DESCRIPTION	REV.
------	-------------	------