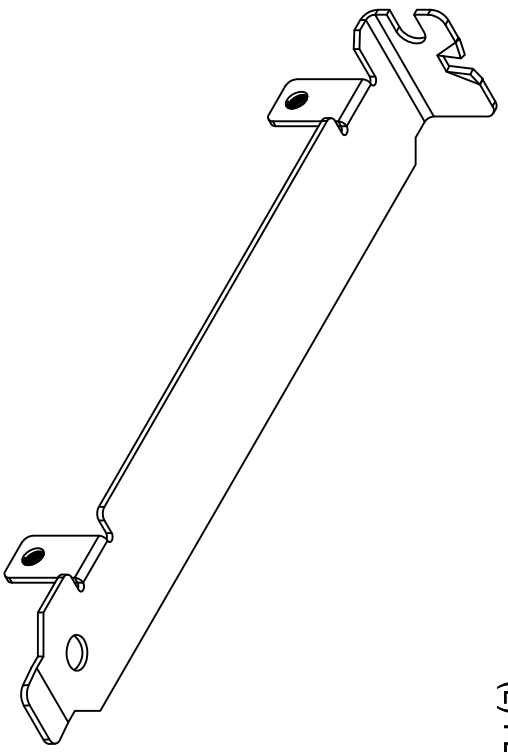
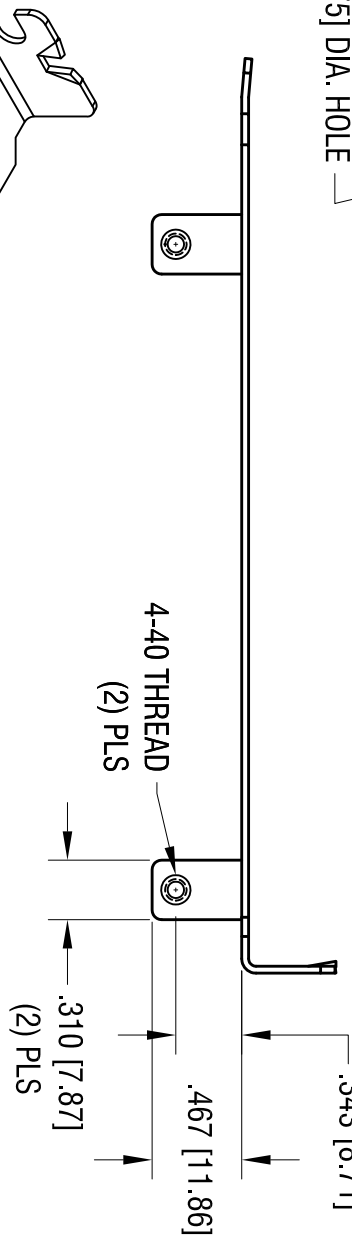
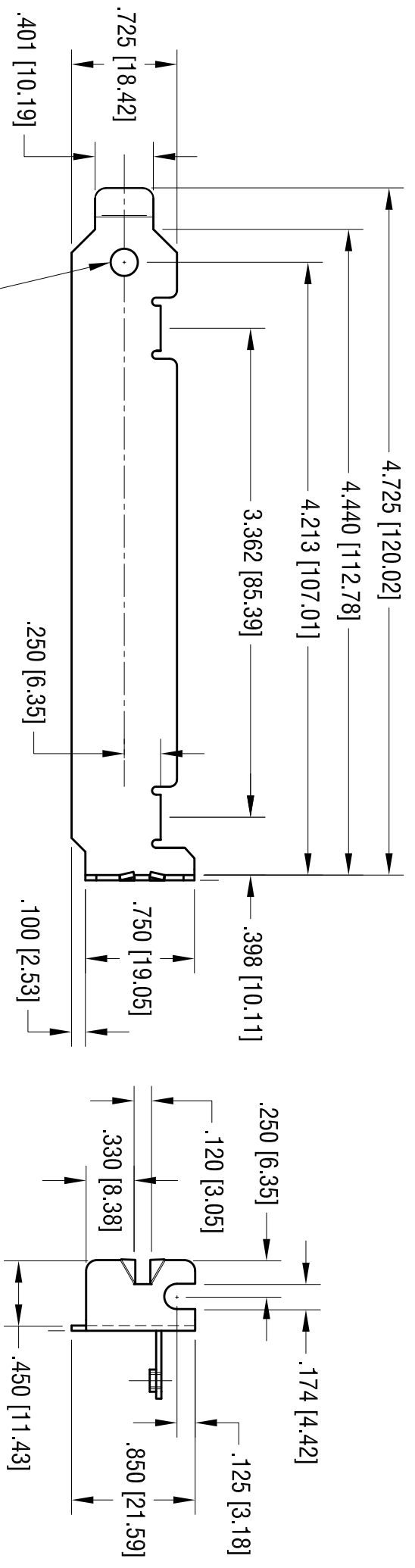


DATE	DESCRIPTION	REV.
3.12.09	CHANGE AS PER ECN 09-017	A



KEYSTONE ELECTRONICS CORP.			
www.keystec.com • NEW HYDE PARK, NY 11040 • Tel (516) 328-7500			
PART NAME COMPUTER BRACKET			
MATERIAL .036 [0.91 THK STEEL			
FINISH NICKEL PLATE			
TOLERANCES	INCH	[MM]	CODE
DECIMAL	$\pm .015$	[± 0.38]	C
ANGULAR	$\pm 1^\circ$		
UNLESS OTHERWISE SPECIFIED			
DRN BY	BOONE	DATE	6.15.98
APP'D	LN	SCALE	1X
DWG NO.		9203	

THIS DOCUMENT IS THE PROPERTY OF KEYSTONE ELECTRONICS CORP. AND SHALL NOT BE REPRODUCED, DISTRIBUTED OR USED AS A BASIS FOR MANUFACTURE WITHOUT PRIOR WRITTEN PERMISSION FROM KEYSTONE ELECTRONICS CORP.