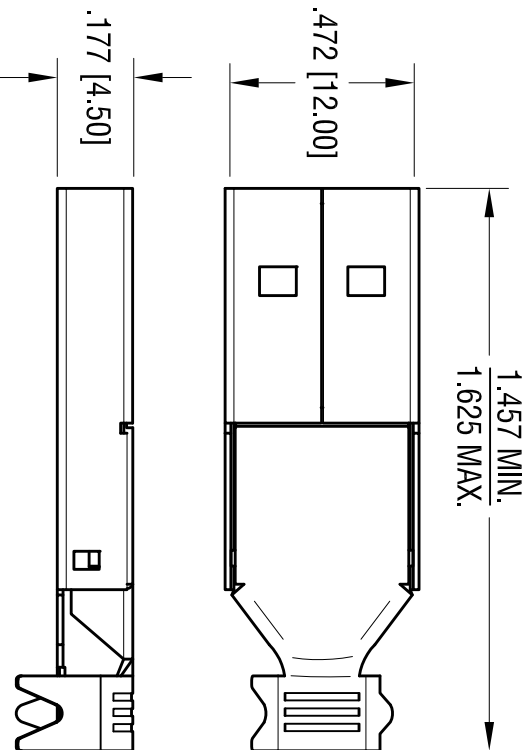


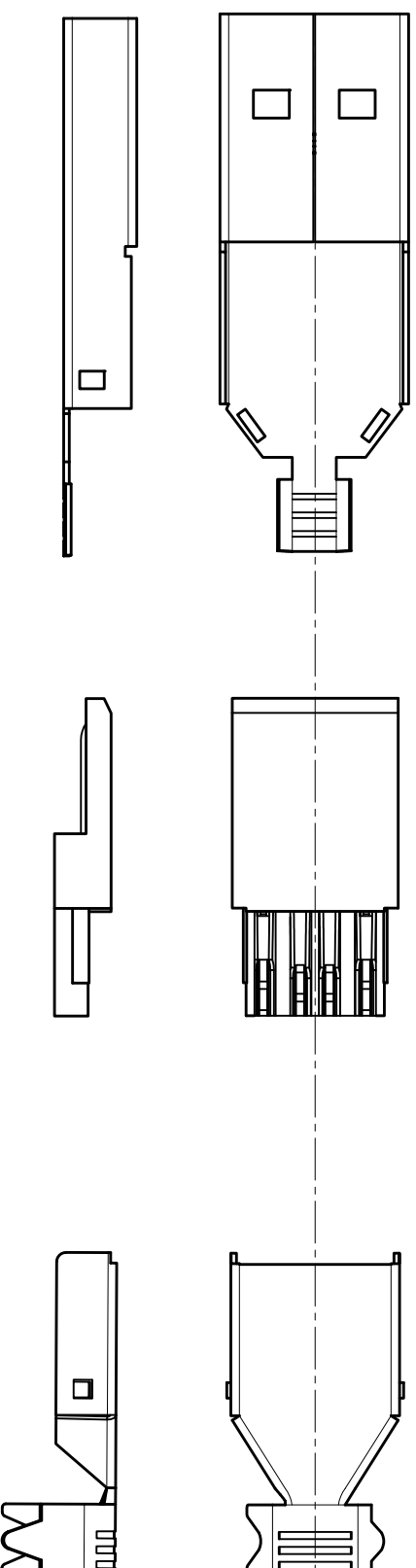
DATE	DESCRIPTION	REV.
4.14.00	CHANGE AS PER ECN 00-024	C
6.8.05	CHANGE AS PER ECN 056-035	D
6.30.08	CHANGE AS PER ECN 08-116	E
12.17.09	CHANGE AS PER ECN 09-191	F
12.21.12	CHANGE AS PER ECN 12-162	G
12.14.17	CHANGE AS PER ECN 17-076	H
7.07.20	CHANGE AS PER ECN 20-065	K



FRONT SHELL

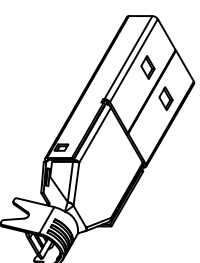
INSULATOR BODY

REAR SHELL



Notes:
 Material:
 Shell: Mat'l- Steel
 Finish: Nickel plate, over Copper Plate
 Insulator: PBT
 Contacts: Bronze

Finish:
 Contact Area: Gold Plate over Nickel Plate
 on Solder Tail: Tin Plate over Nickel Plate



ACTUAL SUZE

KEYSTONE ELECTRONICS CORP.			
www.keystone.com • NEW HYDE PARK, NY 11040 • Tel (516) 328-7500			
PART NAME		USB A-TYPE PLUG	
MATERIAL		AS NOTED	
FINISH		AS NOTED	
TOLERANCES	INCH	[MM]	CODE
DECIMAL	± .010	[± 0.25]	C
ANGULAR	± 1°		
UNLESS OTHERWISE SPECIFIED			
DRN BY	BOONE	DATE	6.18.98
APP'D	RH	SCALE	2X
DWG NO.		925	

THIS DOCUMENT IS THE PROPERTY OF KEYSTONE ELECTRONICS CORP. AND SHALL NOT BE REPRODUCED, DISTRIBUTED OR USED AS A BASIS FOR MANUFACTURE WITHOUT PRIOR WRITTEN PERMISSION FROM KEYSTONE ELECTRONICS CORP.