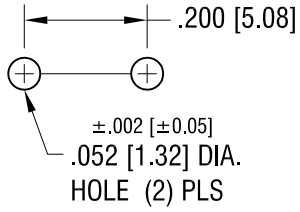
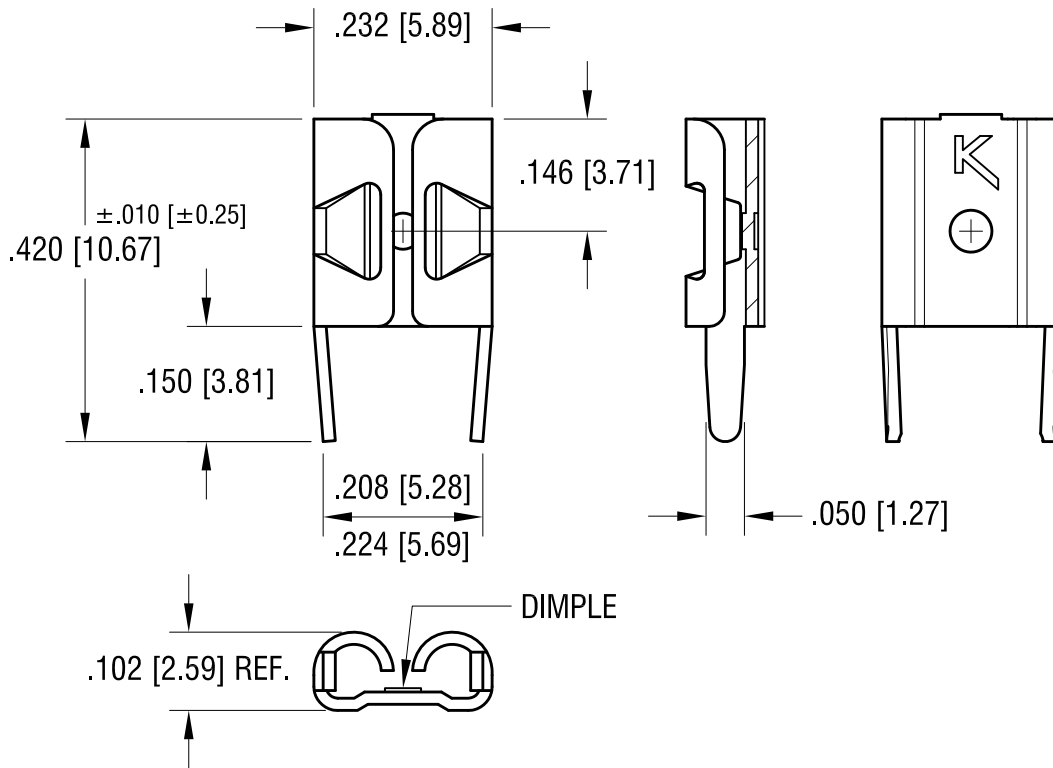


**MOUNTING DETAIL**



THIS DOCUMENT IS THE PROPERTY OF KEYSTONE ELECTRONICS CORP. AND SHALL NOT BE REPRODUCED, DISTRIBUTED OR USED AS A BASIS FOR MANUFACTURE WITHOUT PRIOR WRITTEN PERMISSION FROM KEYSTONE ELECTRONICS CORP.

**ACTUAL SIZE**



11.25.19	CHANGE AS PER ECN 19-091	G
5.03.19	CHANGE AS PER ECN 19-049	F
9.11.12	CHANGE AS PER ECN 12-136	E
1.25.06	CHANGE AS PER ECN 06-010	D
DATE	DESCRIPTION	REV.

<b>KEYSTONE ELECTRONICS CORP.</b>			
www.keyelco.com • NEW HYDE PARK, NY 11040 • Tel (516) 328-7500			
PART NAME			
.187 x .030 PC QUICK-FIT TERMINAL			
MATERIAL			
.016 [0.41] BRASS			
FINISH		DRN BY	DATE
TIN NICKEL PLATE		BOONE	4.12.96
		APP'D	SCALE
		LN	4X
TOLERANCES	INCH [MM]	CODE	DWG NO.
DECIMAL	± .005 [± 0.13]	C	<b>3551</b>
ANGULAR	± 1°		
UNLESS OTHERWISE SPECIFIED			