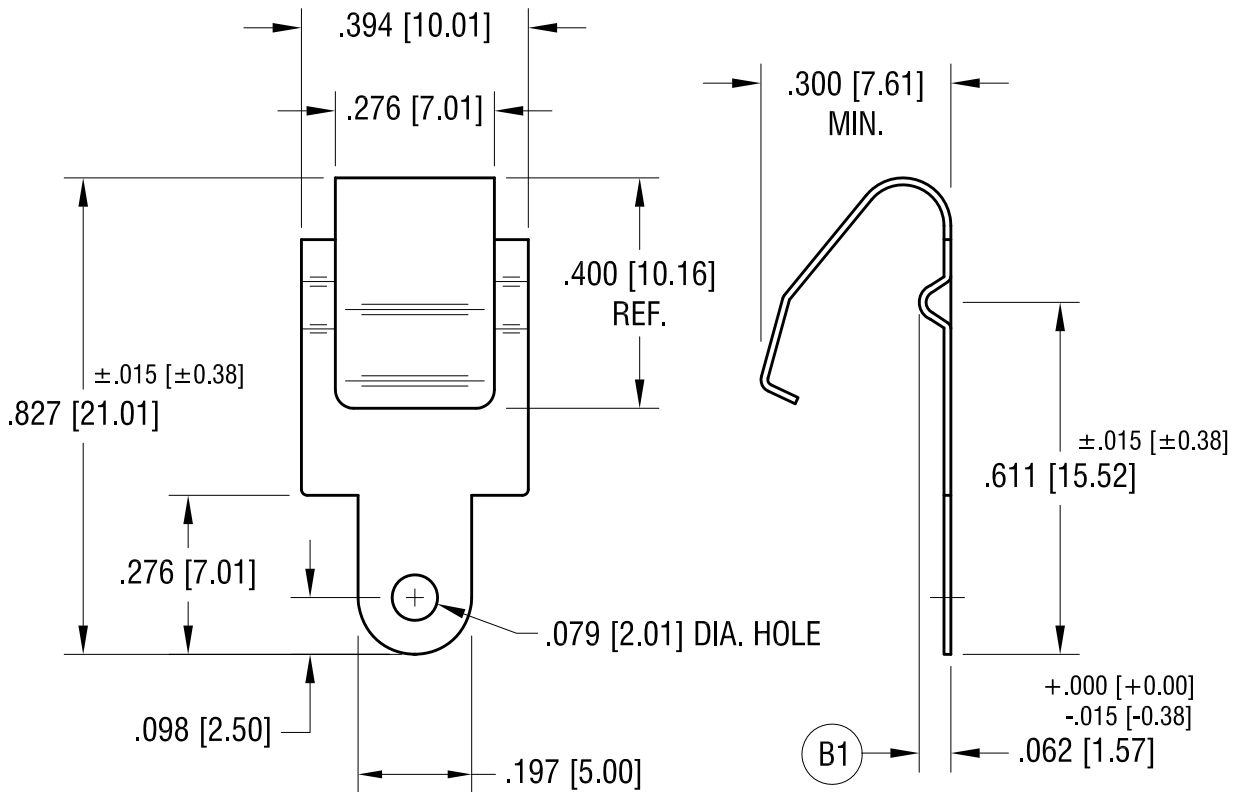


THIS DOCUMENT IS THE PROPERTY OF
KEYSTONE ELECTRONICS CORP. AND
SHALL NOT BE REPRODUCED, DISTRIBUTED
OR USED AS A BASIS FOR MANUFACTURE
WITHOUT PRIOR WRITTEN PERMISSION
FROM KEYSTONE ELECTRONICS CORP.

ACTUAL SIZE



1.25.19	ON 'C' DWG (B1) WAS .055±.015 CHANGE AS PER ECN 19-008	B
1.4.00	CHANGE AS PER ECN 00-004	A
DATE	DESCRIPTION	REV.

KEYSTONE ELECTRONICS CORP.			
www.keyelco.com • NEW HYDE PARK, NY 11040 • Tel (516) 328-7500			
PART NAME			
'AA' & '9V' BATTERY CONTACT			
MATERIAL			
.012 [0.30] TH'K PHOSPHOR BRONZE			
FINISH		DRN BY	DATE
NICKEL PLATE		BOONE	5.17.96
		APP'D	SCALE
		RH	3X
TOLERANCES	INCH [MM]	CODE	DWG NO.
DECIMAL	± .005 [± 0.13]	C	5209
ANGULAR	± 1°		
UNLESS OTHERWISE SPECIFIED			