

# METRIC NUTS

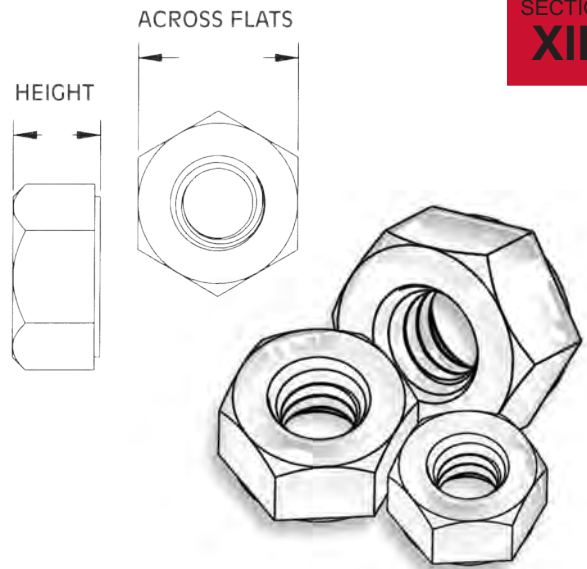
ALL DIMENSIONS ARE IN MILLIMETERS

SECTION  
**XIII**

## HEX NUTS

Molded in Natural Nylon 6/6

ITEM NUMBER	SCREW SIZE	THREAD	ACROSS FLATS	HEIGHT
04M020040HN	M2	0.4	3.9	1.2
04M025045HN	M2.5	0.45	4.9	1.8
04M030050HN	M3	0.5	5.4	2.2
04M035060HN	M3.5	0.6	6.9	2.7
04M040070HN	M4	0.7	6.9	3.0
04M050080HN	M5	0.8	7.9	4.3
04M060100HN	M6	1.0	10.0	5.4
04M080125HN	M8	1.25	12.9	6.4
04M100150HN	M10	1.50	14.8	9.8
04M120175HN	M12	1.75	17.74	10.54

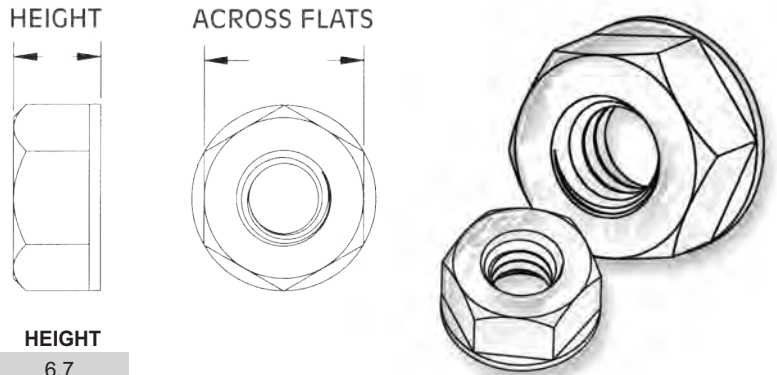


DESIGNED FOR STEEL SCREWS

## LOCK NUTS

Molded in Natural Nylon 6/6

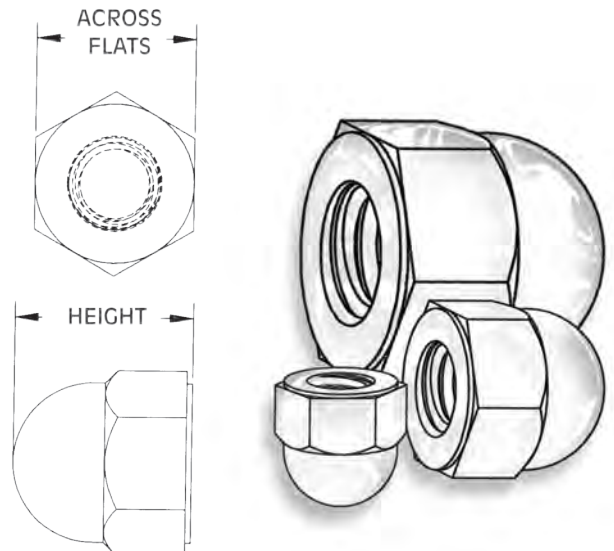
ITEM NUMBER	SCREW SIZE	THREAD	ACROSS FLATS	HEIGHT
07M060100LN	M6	1.0	10.9	6.7



## CAP NUTS

Molded in Natural Nylon 6/6

ITEM NUMBER	SCREW SIZE	THREAD	ACROSS FLATS	HEIGHT
05M040070CN	M4	0.7	7.0	8.0
05M050080CN	M5	0.8	8.0	10.0
05M060100CN	M6	1.0	10.0	12.0
05M080125CN	M8	1.25	13.0	15.0
05M100150CN	M10	1.5	17.0	18.0
05M120175CN	M12	1.75	18.9	20.5
05M160200CN	M16	2.0	23.7	24.8
05M200250CN	M20	2.5	26.7	29.1



## LOCKING CAP NUTS

Molded in Natural Nylon 6/6

ITEM NUMBER	SCREW SIZE	THREAD	ACROSS FLATS	HEIGHT
05M040070LCN	M4	0.7	7.0	8.0
05M050080LCN	M5	0.8	8.0	10.0
05M060100LCN	M6	1.0	10.0	12.0

