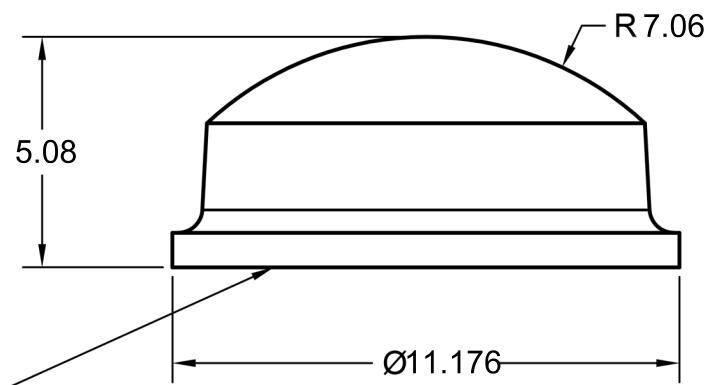
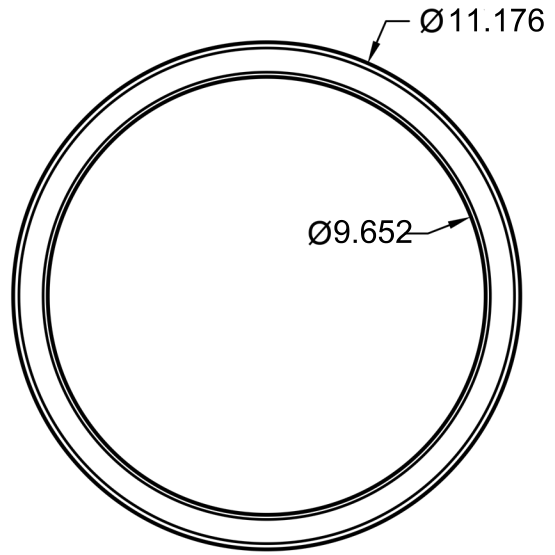


ALL DIMENSIONS IN MM



Pressure-Sensitive Adhesive

Nominal web thickness = 0.762

TOLERANCE ± 0.508	DUROMETER, SHORE A 60-70 Standard & 45-55 Soft	MATERIAL Polyurethane	
PART NO 17001	DRAWN 11/11/19	REV 1	SHEET 1 of 1