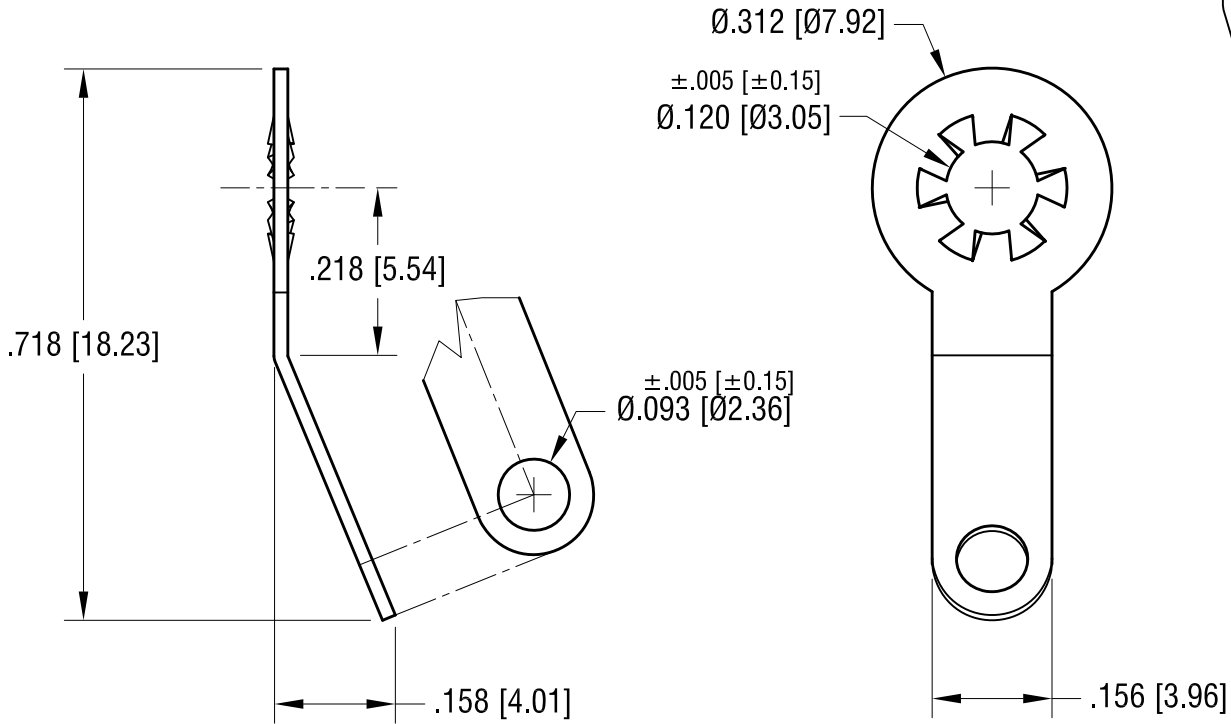


THIS DOCUMENT IS THE PROPERTY OF
KEYSTONE ELECTRONICS CORP. AND
SHALL NOT BE REPRODUCED, DISTRIBUTED
OR USED AS A BASIS FOR MANUFACTURE
WITHOUT PRIOR WRITTEN PERMISSION
FROM KEYSTONE ELECTRONICS CORP.



KEYSTONE ELECTRONICS CORP.

www.keyelco.com • ASTORIA, N.Y. 11105-2017 • Tel (718) 956-8900

PART NAME		LOCKWASHER TERMINAL LUG	
MATERIAL		.018 [0.45] TH'K BRASS	
FINISH	MATTE TIN PLATE	DRN BY	NT
		APP'D	LN
		DATE	4.03.08
		SCALE	4X
TOLERANCES	INCH [MM]	CODE	DWG NO.
DECIMAL	$\pm .010 [\pm 0.25]$	C	
ANGULAR	$\pm 1^\circ$		
UNLESS OTHERWISE SPECIFIED			

6.24.09	CHANGE AS PER ECN 09-079	B
1.28.09	CHANGE AS PER ECN 09-006	A
DATE	DESCRIPTION	REV.

7314