

“Stay Connected” with



Strain Relief Bushings

a PennEngineering® Company



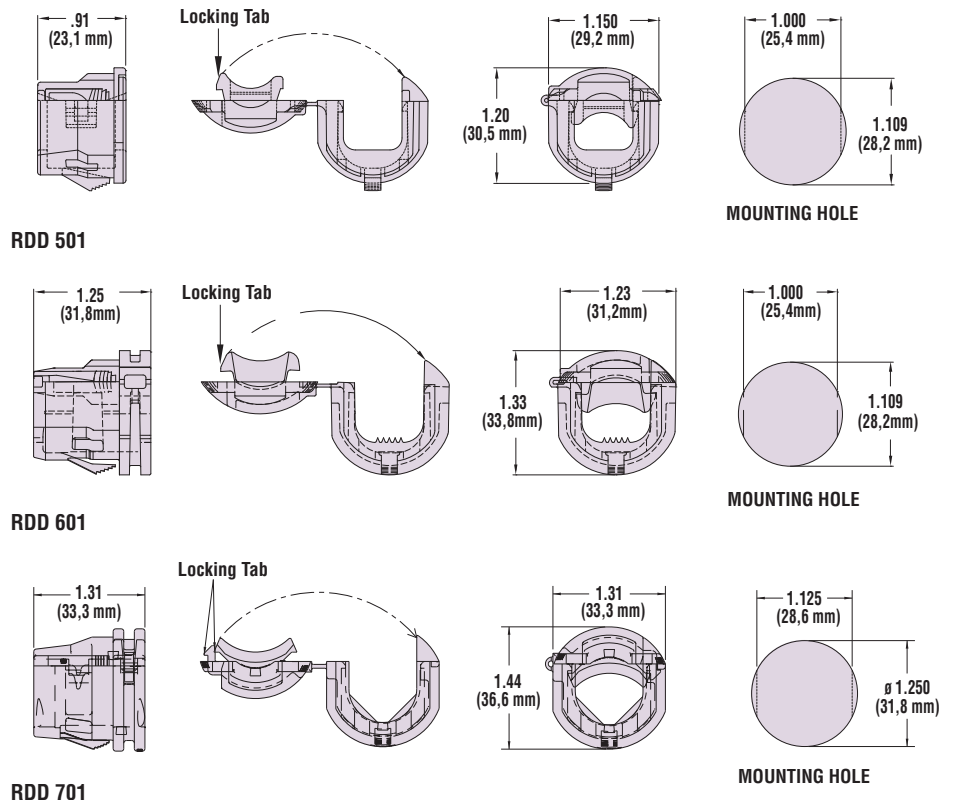
## Heyco® RDD Lockit™ Strain Relief Bushings – Straight-Thru

Snap onto **Round Cables** for Faster Assembly into **Double D Mounting Holes** – *Semi-Automatic Equipment Available*  
Fit 3/4" Electrical Knock-out Hole

- **Assembly friendly!** Independent of insertion into the panel, RDD Lockit™ Strain Reliefs **self-lock** onto the cable. Preassemble RDD Lockits off line for final assembly at a later time or remote location, for lower installed cost!
- Install easily with fingertip pressure into a standard round or Double D hole. No tools required, even for hand assembly.
- Protect the lifeline of your electric/electronic products by absorbing the forces of push and pull that may be exerted on the flexible power cord. Double D design eliminates the possibility of part rotation under forces of twist.
- Multiple panel locking steps secure Lockit Strain Reliefs into a wide range of panel thicknesses for a **flush, finished fit**.
- Heyco's automated Pre-Assembly Equipment speeds assembly of the RDD onto the cable and thus lowers costs while greatly reducing risk of carpal tunnel syndrome. See pages 4-15 & 4-16.
- Consult Heyco for other wire types and sizes.
- See page 4-38 for corresponding **Mounting Hole Plugs** which can be used to fill blank/unused Mounting Holes and thus allow for a single panel design for multiple applications.
- For Double D Mounting Hole Punches, see page 4-30.

WILL FIT THESE CABLES				PANEL DIMENSIONS				RDD LOCKIT STRAIN RELIEF for Faster Assembly			Corresponding Mounting Hole Plug	
UL Type	AWG/Conductors	Approximate Size		Mounting Hole Size		Thickness		PART NO. Black	PART NO. White	DESC.	PART NO.	DESC.
		in.	mm.	in.	mm.	in.	mm.					
See table on page 4-10	various	.525-.600	13.5-15.2	1.109 w/ 1.000 flats	28.2 w/ 25.4 flats	.063	1.6	1868	1869	RDD 501	2717	DD 1109-1000
						.099	2.5					
						.126	3.2					
						.157	4.0					
						.187	4.8					
See table on page 4-10	various	.600-.700	15.2-17.8	1.109 w/ 1.000 flats	28.2 w/ 25.4 flats	.063	1.6	1802	1803	RDD 601		
						.099	2.5					
						.126	3.2					
						.157	4.0					
						.187	4.8					
See table on page 4-10	various	.720-.830	18.3-21.1	1.250 w/ 1.125 flats	31.8 w/ 28.6 flats	.063	1.6	1880	1881	RDD 701	-	consult Heyco
						.099	2.5					
						.126	3.2					
						.157	4.0					
						.187	4.8					

Standard color black. Consult Heyco for white and other colors.



Quick Specs

Material	Nylon 6/6
Certifications	Recognized under UL File E15331 Certified by the Canadian Standards Association File 8919
Flammability Rating	94V-2
Temperature Range	-.04°F (-18°C) to 221°F (105°C)

“Stay Connected” with



Strain Relief Bushings

a PennEngineering® Company

## Heyco® Lockit™ ST and RDD Strain Relief Bushings

Table of UL Recognized Round Wire Types

Lockit™ Strain Reliefs for Round Cables										
Mounting Hole Diameter →	UL Approved for Cable Diameter Range			UL Approved for Cable Diameter Range and UL Type						
	11,5 x 13,0 mm	17,5 x 17,5 mm		.625" (15,9 mm) Ø	Will Fit Electrical Knock-outs .875" (22,2 mm) Ø			1.109" (28,2 mm) Ø		1.250" (31,8 mm) Ø
LOCKIT Lockit Variety	ST 101N	ST 201N	ST 301N	RDD 101 RDD 101-7 RDD 101-90	RDD 201 RDD 201-2 RDD 201-90	RDD 301 RDD 301-2 RDD 301-90	RDD 401 RDD 401-2	RDD 501	RDD 601	RDD 701
UL DIA. RANGE	.220" - .290"	.290" - .360"	.355" - .420"	.220" - .290" 5,6 - 7,4 mm	.290" - .385" 7,4 - 9,8 mm	.340" - .430" 8,6 - 10,9 mm	.420" - .450"	.525" - .600"	.600" - .700"	.720" - .830"
UL TYPE										
S	X	X	X	X	X	X	X	X	X	X
SE	X	X	X	X	X	X	X	X	X	X
SEO	X	X	X	X	X	X	X	X	X	X
SE00									X	
SE00W	X	X	X	X	X	X	X		X	X
SE0W	X	X	X	X	X	X	X		X	X
SJ	X	X	X	X	X	X	X	X	X	
SJE								X		
SJE00W	X	X	X	X	X	X	X			
SJE0W	X	X	X	X	X	X	X			
SJO	X	X	X	X	X	X	X	X	X	
SJ00	X	X	X	X	X	X	X	X	X	X
SJ00W	X	X	X	X	X	X	X			
SJ0W	X	X	X	X	X	X	X			
SJT								X	X	
SJTE00W	X	X	X	X	X	X	X			
SJTE0W	X	X	X	X	X	X	X			
SJTO	X	X	X	X	X	X	X	X		
SJTO0	X	X	X	X	X	X	X	X		
SJTO0W	X	X	X	X	X	X	X			
SJTOW	X	X	X	X	X	X	X			
SJTW	X	X	X	X	X	X	X			
SO	X	X	X	X	X	X	X	X	X	X
SO0	X	X	X	X	X	X	X	X	X	X
SO0W	X	X	X	X	X	X	X			X
SOW	X	X	X	X	X	X	X			X
SRDT									X	
ST									X	
STO								X	X	
STO0								X	X	
STO0W									X	
STOW									X	
SV	X	X	X	X	X	X	X			X
SVE	X	X	X	X	X	X	X			X
SVE0	X	X	X	X	X	X	X			X
SVO	X	X	X	X	X	X	X			X
SVO0	X	X	X	X	X	X	X			X

Consult Heyco for UL Type designations not shown.