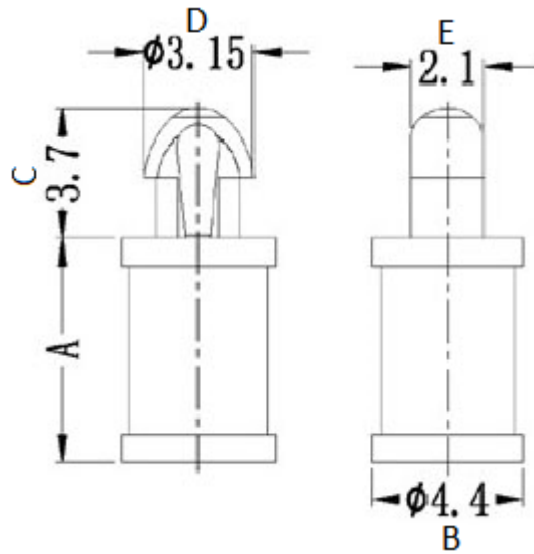


## PCB Support - Teardrop - Flame Retardant - UL94V-0 Nylon - NATURAL



Part No.	A (mm)	Panel Thickness (mm)	Hole Size (mm)	B (mm)	C (mm)	D (mm)	E (mm)
10188	6.4	1.63	2.54	4.4	3.7	3.15	2.1