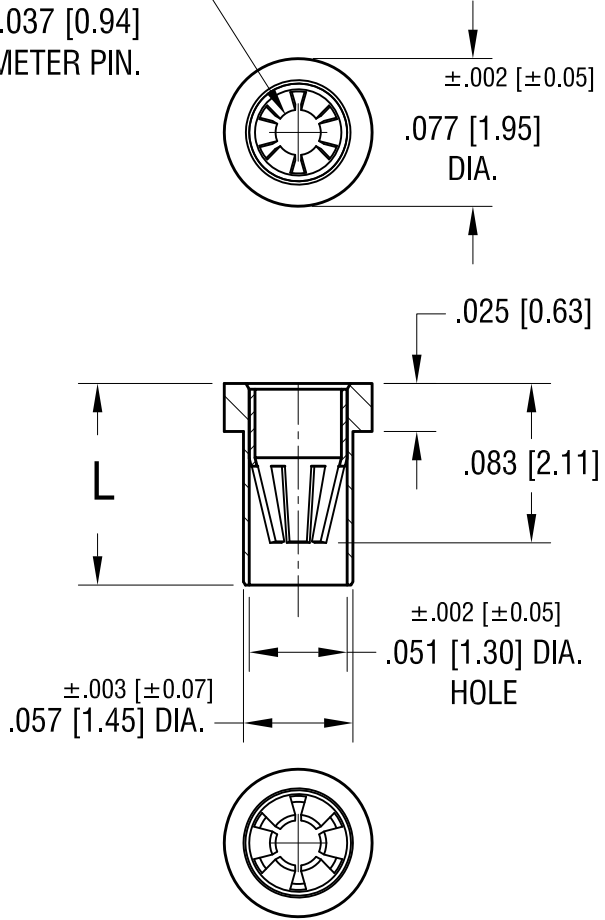


THIS DOCUMENT IS THE PROPERTY OF KEYSTONE ELECTRONICS CORP. AND SHALL NOT BE REPRODUCED, DISTRIBUTED OR USED AS A BASIS FOR MANUFACTURE WITHOUT PRIOR WRITTEN PERMISSION FROM KEYSTONE ELECTRONICS CORP.



6-FINGER CLOSED
ENTRY CONTACT FOR
.025 [0.63] - .037 [0.94]
DIAMETER PIN.



NOTES:

- 1. SPRING CONTACT:
MAT'L - BERYLLIUM COPPER
FINISH - GOLD PLATE
- BODY:
MAT'L - BRASS
FINISH - GOLD PLATE

2. MOUNTING HOLE DIA.: $.061$ [1.55]

PART NO.	'L' DIM.
1626-1	.095 [2.41]
1626-2	.105 [2.67]
1626-3	.155 [3.94]

DATE	DESCRIPTION	REV.
5.9.11	CHANGE AS PER ECN 11-060	B
10.24.07	CHANGE AS PER ECN 07-070	A

KEYSTONE ELECTRONICS CORP.			
www.keyelco.com • ASTORIA, N.Y. 11105-2017 • Tel (718) 956-8900			
PART NAME MICRO JACK, SOLDER MOUNT			
MATERIAL AS NOTED			
FINISH AS NOTED		DRN BY BOONE	DATE 2.26.07
		APP'D LN	SCALE 10X
TOLERANCES DECIMAL ANGULAR	INCH [MM] $\pm .005$ [± 0.13] $\pm 1^\circ$	CODE C/M	DWG NO. 1626-
UNLESS OTHERWISE SPECIFIED			