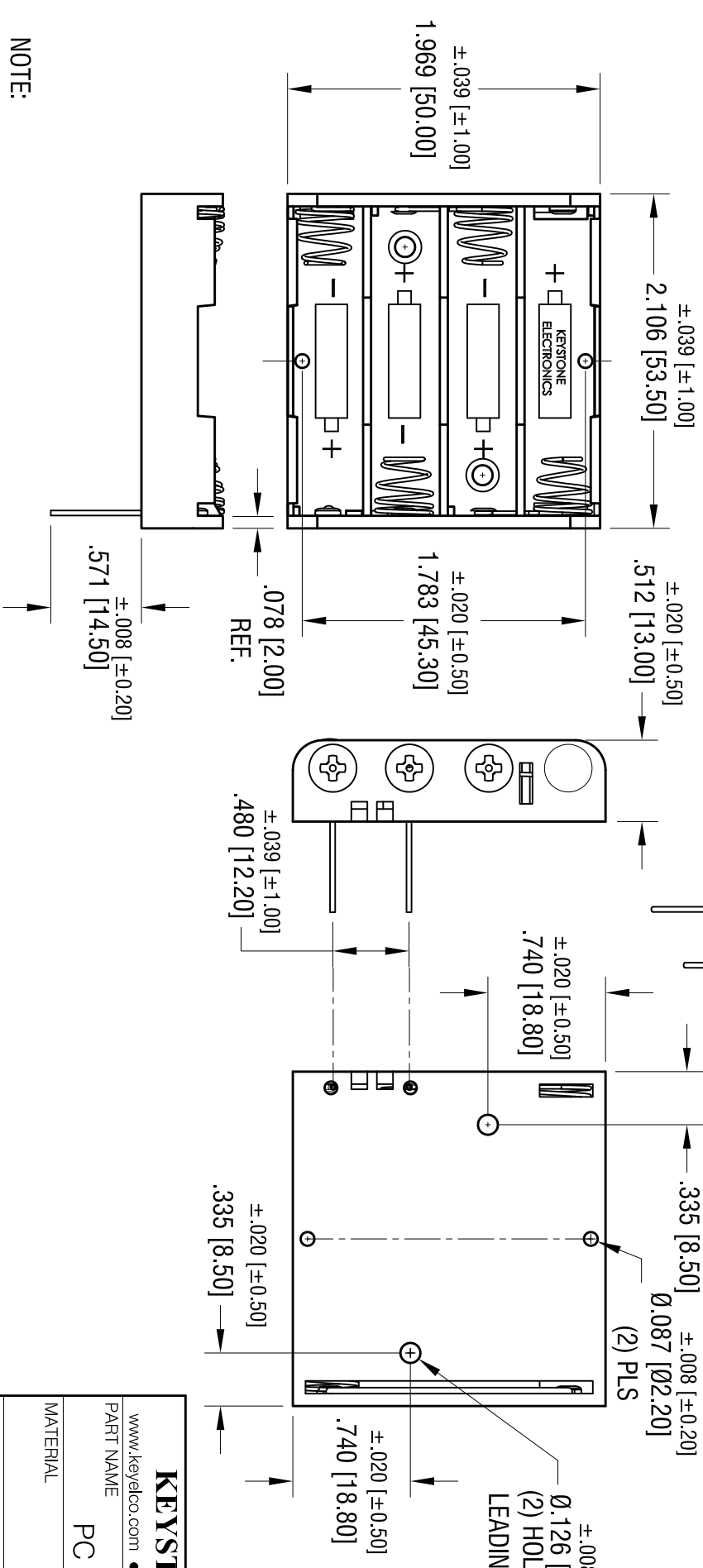
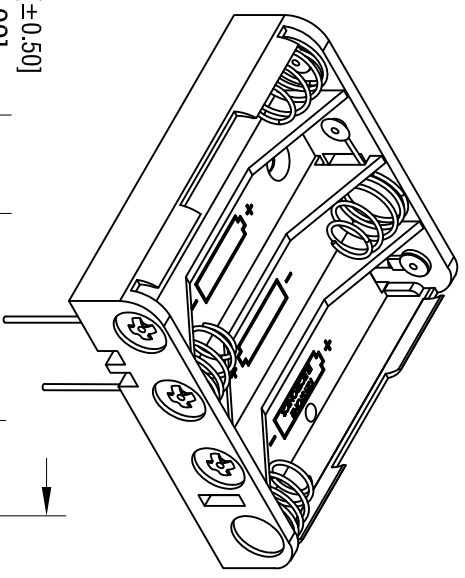
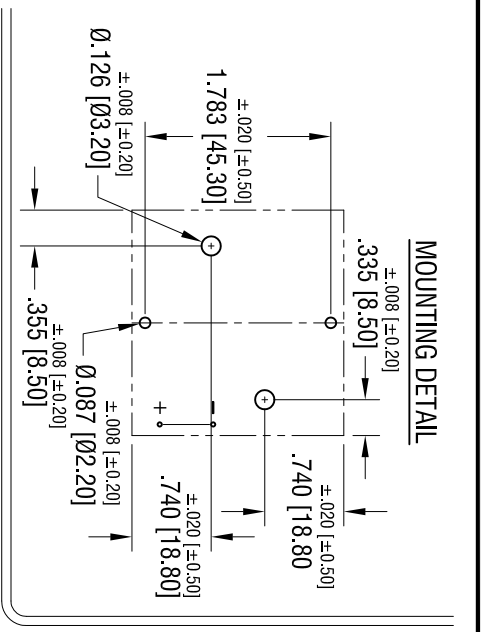


DATE	DESCRIPTION	REV.
11.15.99	CHANGE AS PER ECN 99-087	A
1.16.07	CHANGE AS PER ECN 07-003	B
6.12.09	CHANGE AS PER ECN 09-067	C
10.24.18	CHANGE AS PER ECN 18-042	D



- NOTE:
1. HOLDER: MAT'L: POLYPROPYLENE
  2. SPRING: MAT'L: MUSIC WIRE, .024 [0.60] DIA.
  3. PC TERMINALS: MAT'L: BRASS, .032 [0.81] DIA.

THIS DOCUMENT IS THE PROPERTY OF KEYSTONE ELECTRONICS CORP. AND SHALL NOT BE REPRODUCED, DISTRIBUTED OR USED AS A BASIS FOR MANUFACTURE WITHOUT PRIOR WRITTEN PERMISSION FROM KEYSTONE ELECTRONICS CORP.

**KEYSTONE ELECTRONICS CORP.**  
www.keyelco.com • NEW HYDE PARK, NY 11040 • Tel (516) 328-7500

PART NAME: PC BATTERY HOLDER (4) 'AAA'

MATERIAL: AS NOTED

FINISH: NICKEL PLATE

TOLERANCES	INCH	[MM]	CODE	DWG NO.
DECIMAL	± 0.15	[± 0.38]	C	2481
ANGULAR	± 1°			

DRN BY: BOONE DATE: 6.09.99  
APP'D: LN SCALE: 1X