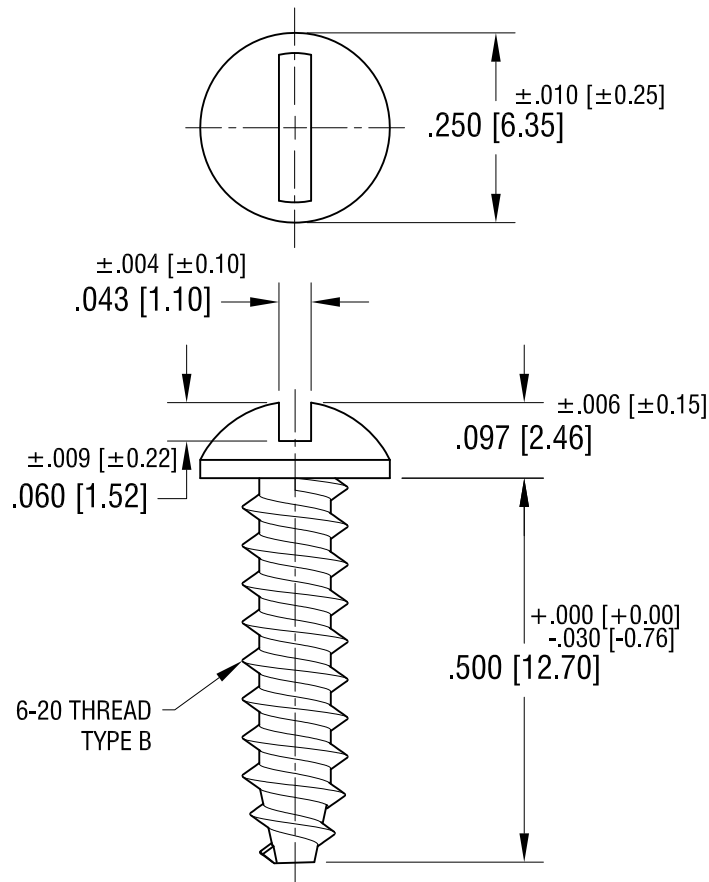


THIS DOCUMENT IS THE PROPERTY OF
KEYSTONE ELECTRONICS CORP. AND
SHALL NOT BE REPRODUCED, DISTRIBUTED
OR USED AS A BASIS FOR MANUFACTURE
WITHOUT PRIOR WRITTEN PERMISSION
FROM KEYSTONE ELECTRONICS CORP.

ACTUAL SIZE



KEYSTONE ELECTRONICS CORP.

www.keyelco.com • NEW HYDE PARK, NY 11040 • Tel (516) 328-7500

| | | | |
|----------------------------|-----------------|------------------|---------|
| PART NAME | | ROUND HEAD SCREW | |
| MATERIAL | | STEEL | |
| FINISH | | DRN BY | DATE |
| BRIGHT ZINC | | NT | 4.22.19 |
| | | APP'D | SCALE |
| | | RH | 4X |
| TOLERANCES | INCH [MM] | CODE | DWG NO. |
| DECIMAL | ± .005 [± 0.13] | C | 4706 |
| ANGULAR | ± 1° | | |
| UNLESS OTHERWISE SPECIFIED | | | |

| | | |
|---------|--|------|
| 4.22.19 | HEAD WAS HEX. 247±.007 CHANGE AS PER ECN 19-045 | A |
| DATE | DESCRIPTION | REV. |