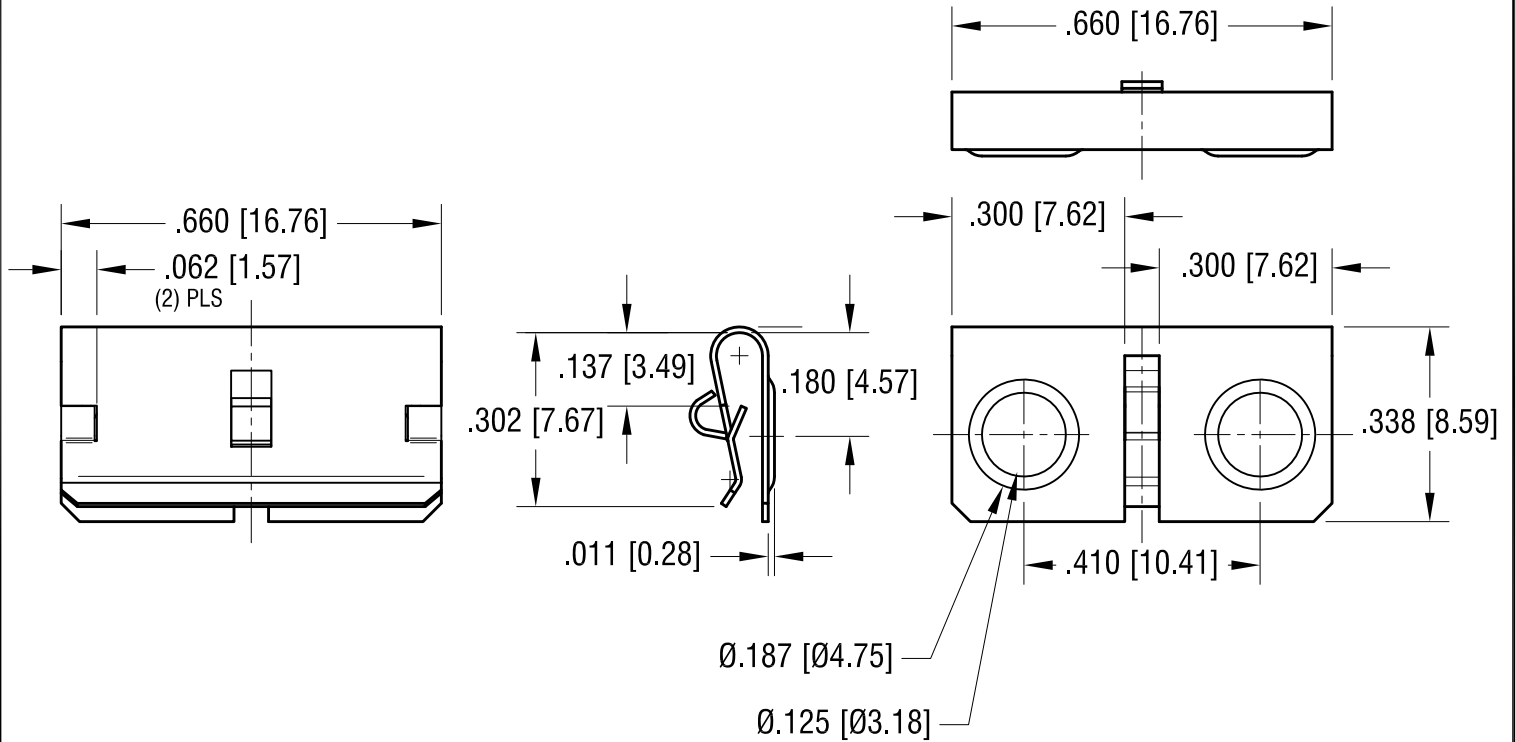
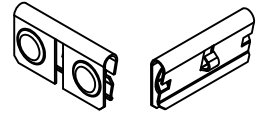


THIS DOCUMENT IS THE PROPERTY OF KEYSTONE ELECTRONICS CORP. AND SHALL NOT BE REPRODUCED, DISTRIBUTED OR USED AS A BASIS FOR MANUFACTURE WITHOUT PRIOR WRITTEN PERMISSION FROM KEYSTONE ELECTRONICS CORP.

**ACTUAL SIZE**



**NOTE:**

- DESIGNED TO CLIP OVER PANELS FROM .060 [1.52] THRU .070 [1.78] TH'K.

12.28.15	CHANGE AS PER ECN 15-147 MAT'L WAS SPRING STEEL	B
8.02.12	CHANGE AS PER ECN 12-099	A
DATE	DESCRIPTION	REV.

<b>KEYSTONE ELECTRONICS CORP.</b>			
www.keyelco.com • NEW HYDE PARK, NY 11040 • Tel (516) 328-7500			
PART NAME		DUAL 'AAA' CONTACT	
MATERIAL		.010 [0.25] TH'K STAINLESS STEEL	
FINISH		DRN BY	DATE
NICKEL PLATE		BOONE	5.12.05
		APP'D	SCALE
		LN	3X
TOLERANCES	INCH [MM]	CODE	DWG NO.
DECIMAL	$\pm .010$ [ $\pm 0.25$ ]	C	<b>294</b>
ANGULAR	$\pm 1^\circ$		
UNLESS OTHERWISE SPECIFIED			