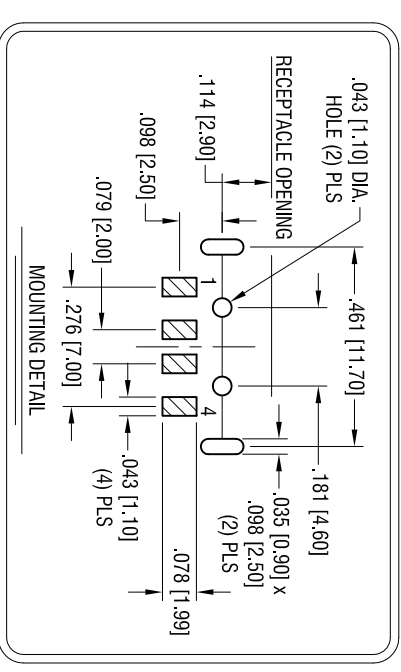
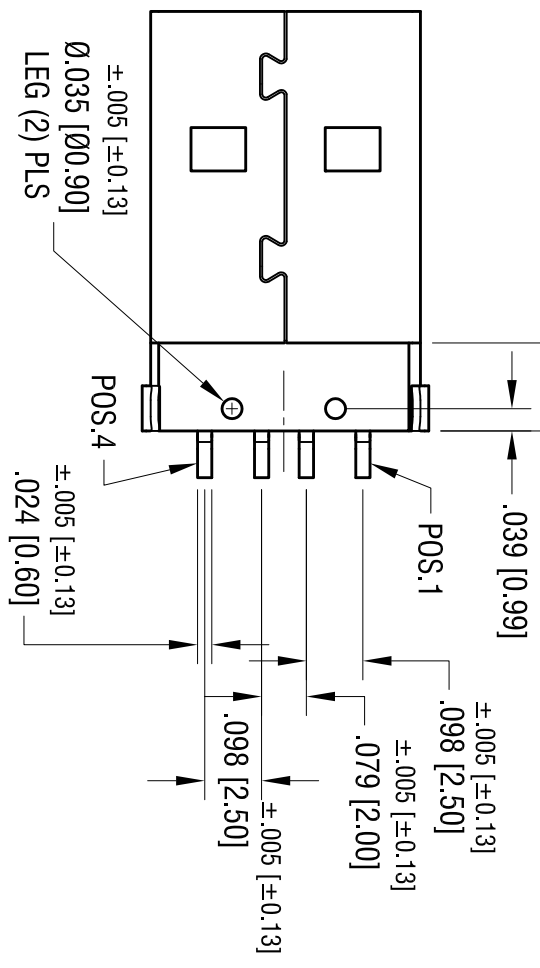
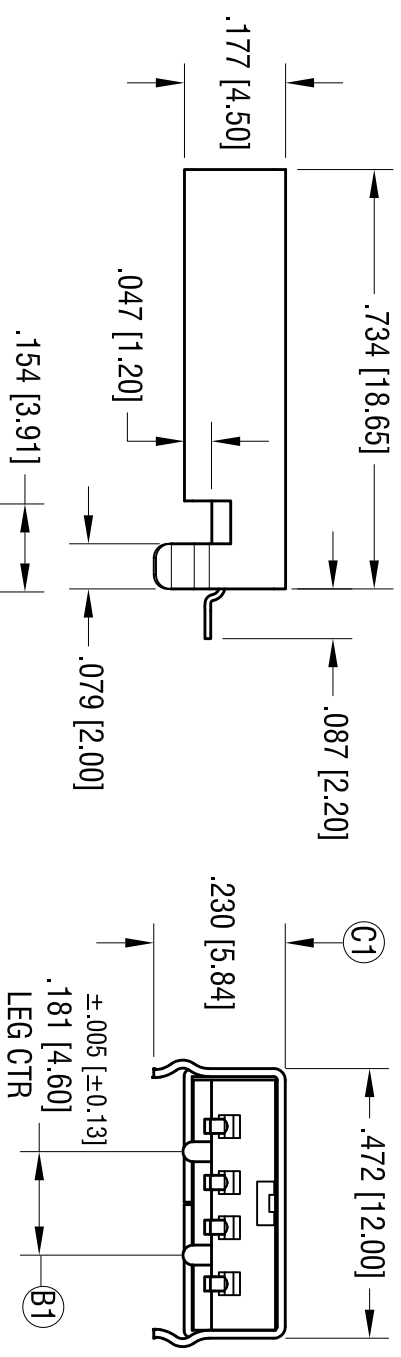


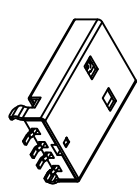
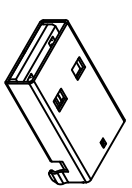
DATE	DESCRIPTION	REV.
12.21.09	CHANGE AS PER ECN 09-192	A
12.05.14	CHANGE AS PER ECN 14-119 B WAS 4.50mm	B
8.30.17	ECN 17-055, ADD INSULATOR COLOR C WAS .240 [6.10]	C



Notes:
Material:
Shell: Steel, Nickel Plate.
Insulator: Glass Filled LCP (black color)
Contacts: Phosphor Bronze

Finish:
Contact Area: Gold Plate over Nickel Plate
on Solder Trail: Tin Plate over Nickel Plate

Electrical Specifications
Rated Voltage: 30V AC (rms)
Contact Current Rating: 1 A max.
Contact Resistance: 30 milliohms Max.
Dielectric Withstanding: 500V AC
Operating Temperature: -20°C to 85°C



ACTUAL SIZE

THIS DOCUMENT IS THE PROPERTY OF KEYSTONE ELECTRONICS CORP. AND SHALL NOT BE REPRODUCED, DISTRIBUTED OR USED AS A BASIS FOR MANUFACTURE WITHOUT PRIOR WRITTEN PERMISSION FROM KEYSTONE ELECTRONICS CORP.

KEYSTONE ELECTRONICS CORP.			
www.key/e/co.com • NEW HYDE PARK, NY 11040 • Tel (516) 328-7500			
PART NAME			
USB A-TYPE HORIZONTAL SMT PLUG			
MATERIAL			
AS NOTED			
FINISH			
AS NOTED			
TOLERANCES		INCH	[MM]
DECIMAL	± .010	[± 0.25]	
ANGULAR	± 1°		
UNLESS OTHERWISE SPECIFIED		CODE	DWG NO.
		C	931
DRN BY	BOONE	DATE	6.31.06
APP'D	LN	SCALE	3X