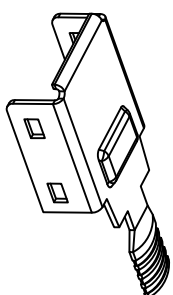
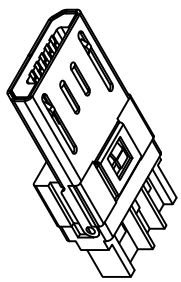
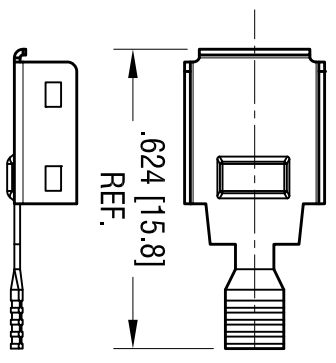


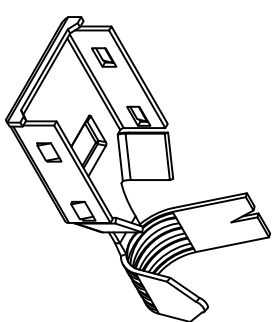
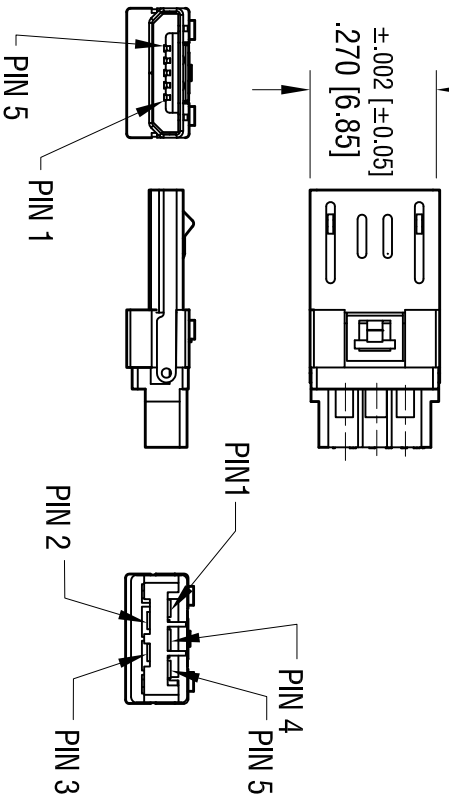
DATE	DESCRIPTION	REV.
2.25.10	CHANGE AS PER ECN 10-017	A
6.01.11	CHANGE AS PER ECN 11-077	B
11.05.12	CHANGE AS PER ECN 12-155	C
2.20.13	CHANGE AS PER ECN 13-019 ADD PIN NUMERATION	D
10.31.19	CHANGE AS PER ECN 19-082	E



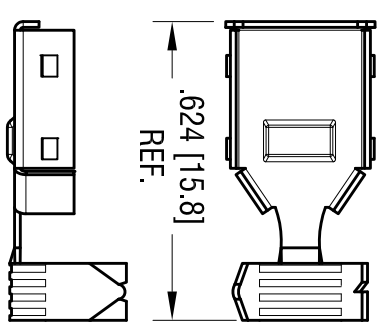
Top Shell



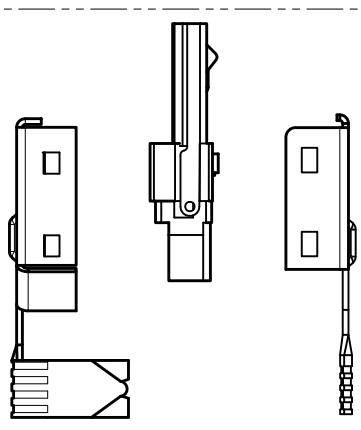
Insulator Body



Bottom Shell



Supplied Unassembled



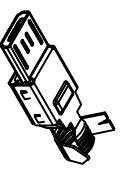
Notes:

Material:

- Shell: Steel, Nickel Plate.
- Insulator: PBT, UL 94-V0 (Color Black)
- Contacts: Phosphor Bronze
- Finish:
- Contact Area: Gold Plate over Nickel Plate
- on Solder Tail: Tin Plate over Nickel Plate

Electrical Specifications

- Rated Voltage: 30V AC (rms)
- Contact Current Rating: 1.5 Amp
- Contact Resistance: 30 milliohms Max.
- Dielectric Withstanding: 100V AC
- Operating Temperature: -30°C to 85°C



ACTUAL SIZE

THIS DOCUMENT IS THE PROPERTY OF KEYSTONE ELECTRONICS CORP. AND SHALL NOT BE REPRODUCED, DISTRIBUTED OR USED AS A BASIS FOR MANUFACTURE WITHOUT PRIOR WRITTEN PERMISSION FROM KEYSTONE ELECTRONICS CORP.

KEYSTONE ELECTRONICS CORP.

www.keyelco.com • NEW HYDE PARK, NY 11040 • Tel (516) 328-7500

PART NAME

MICRO UCB PLUG

MATERIAL

AS NOTED

FINISH

AS NOTED

TOLERANCES	INCH	[MM]	CODE	DWG NO.
DECIMAL	± .010	[± 0.25]	C	941
ANGULAR	± 1°			

DRN BY	DATE
NT	10.31.19

APP'D	SCALE
RH	2.5X