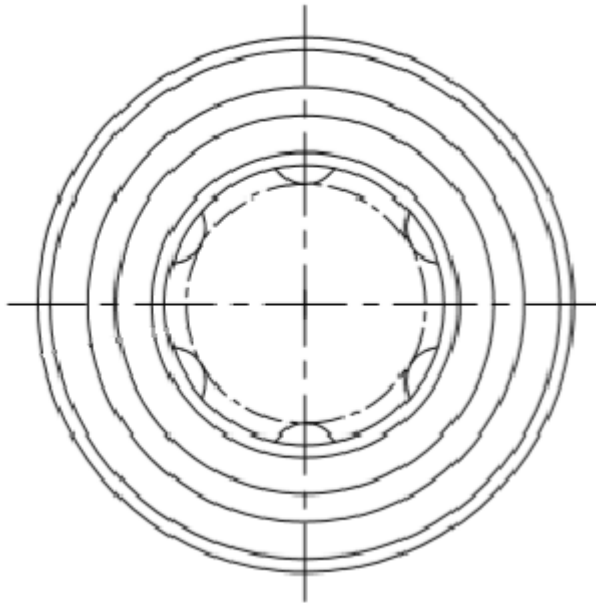


Washer - Sealing - NBR - BLACK



Product No.	Thread	O.D. (mm)	I.D. (mm)	Thickness (mm)
42622	M16 x 1.5mm	20.5	15.5	1.2
42623	M20 x 1.5mm	23.5	18.2	1.2
42624	M25 x 1.5mm	29.5	24	1.2
42625	M32 x 1.5mm	37.5	29.4	1.2
42626	M40 x 1.5mm	44.3	36.2	1.2
42627	M50 x 1.5mm	58	47.8	1.2
42628	M63 x 1.5mm	73	63	1.2
42629	M22 x 1.5mm	26.8	20.4	1.2