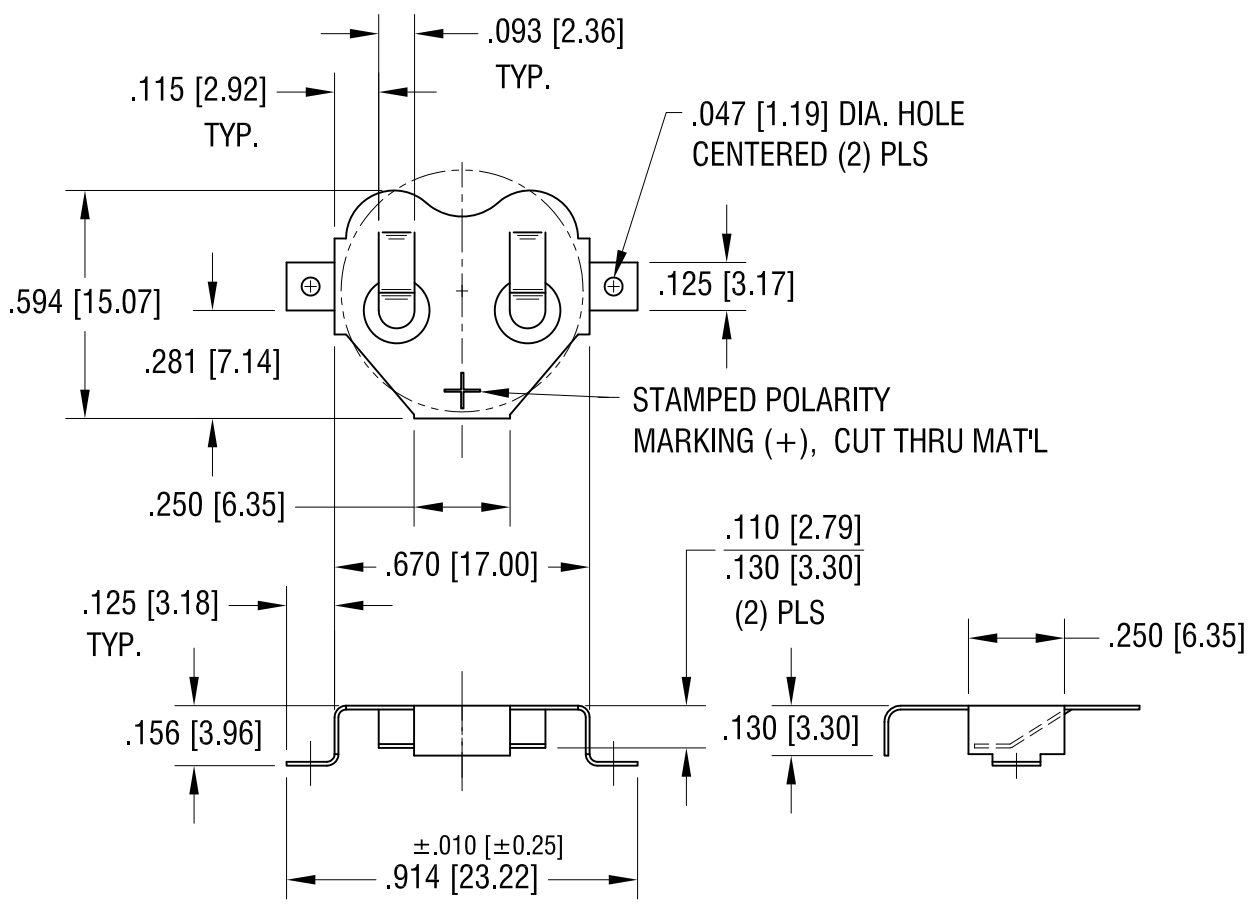
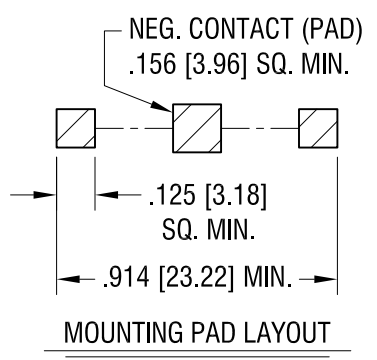
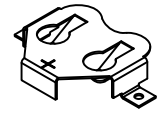


THIS DOCUMENT IS THE PROPERTY OF KEYSTONE ELECTRONICS CORP. AND SHALL NOT BE REPRODUCED, DISTRIBUTED OR USED AS A BASIS FOR MANUFACTURE WITHOUT PRIOR WRITTEN PERMISSION FROM KEYSTONE ELECTRONICS CORP.

ACTUAL SIZE



12.19.16	CHANGE AS PER ECN 16-110	H
10.28.16	CHANGE AS PER ECR 16-075	F
8.30.07	CHANGE AS PER ECN 07-054	E
DATE	DESCRIPTION	REV.

KEYSTONE ELECTRONICS CORP.			
www.keyelco.com • NEW HYDE PARK, NY 11040 • Tel (516) 328-7500			
PART NAME		16mm SM COIN CELL CLIP	
MATERIAL		.010 [0.25] TH'K PHOSPHOR BRONZE	
FINISH		DRN BY	DATE
TIN NICKEL PLATE		BOONE	3.15.01
		APP'D	SCALE
TOLERANCES INCH [MM]		LN	2X
		DWG NO.	
DECIMAL	± .005 [± 0.13]	CODE	3012
ANGULAR	± 1°	C	
UNLESS OTHERWISE SPECIFIED			