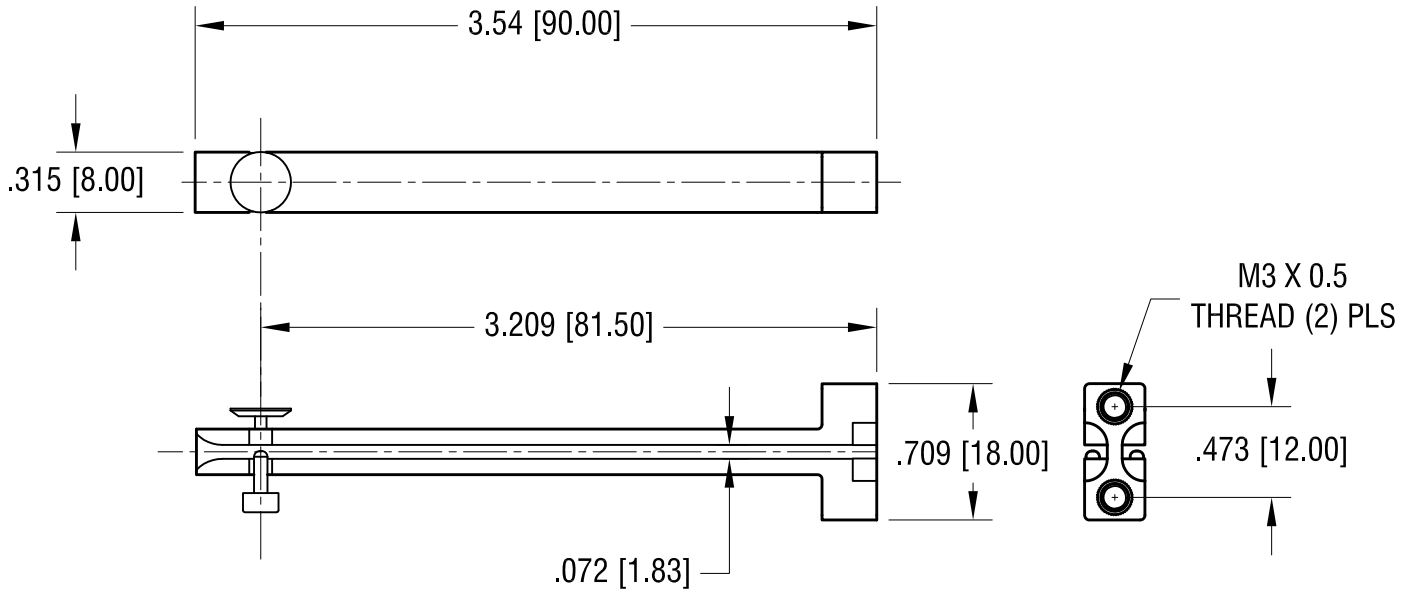
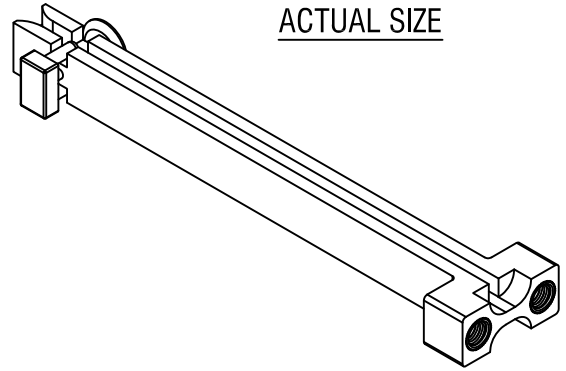


THIS DOCUMENT IS THE PROPERTY OF
KEYSTONE ELECTRONICS CORP. AND
SHALL NOT BE REPRODUCED, DISTRIBUTED
OR USED AS A BASIS FOR MANUFACTURE
WITHOUT PRIOR WRITTEN PERMISSION
FROM KEYSTONE ELECTRONICS CORP.

ACTUAL SIZE



NOTE:

1. GUIDE: MAT'L- NYLON GLASS FILLED
(COLOR-BLUE)
2. INSERT: MAT'L- BRASS
FINISH- NICKEL PLATE
3. HARDWARE: MAT'L- STEEL
FINISH- ZINC PLATE
(2) PLS LOCKWASHER
(2) PLS FLAT WASHER
(2) PLS SCREW M3 x 8mm L.

KEYSTONE ELECTRONICS CORP.			
www.keyelco.com • ASTORIA, N.Y. 11105-2017 • Tel (718) 956-8900			
PART NAME		VERTICAL CARD GUIDE	
MATERIAL		AS NOTED	
FINISH	AS NOTED	DRN BY NT	DATE 2.14.15
		APP'D LN	SCALE 1X
TOLERANCES	INCH [MM]	CODE	DWG NO.
DECIMAL	± .010 [± 0.25]	C	8647
ANGULAR	± 1°		
UNLESS OTHERWISE SPECIFIED			

8.05.15	ECN 15-075, ADD NOTE 3.	A
DATE	DESCRIPTION	REV.