

“Stay Connected” with



Strain Relief Bushings

a PennEngineering® Company

# Heyco® RDD Lockit™ Strain Relief Bushings – Right Angle

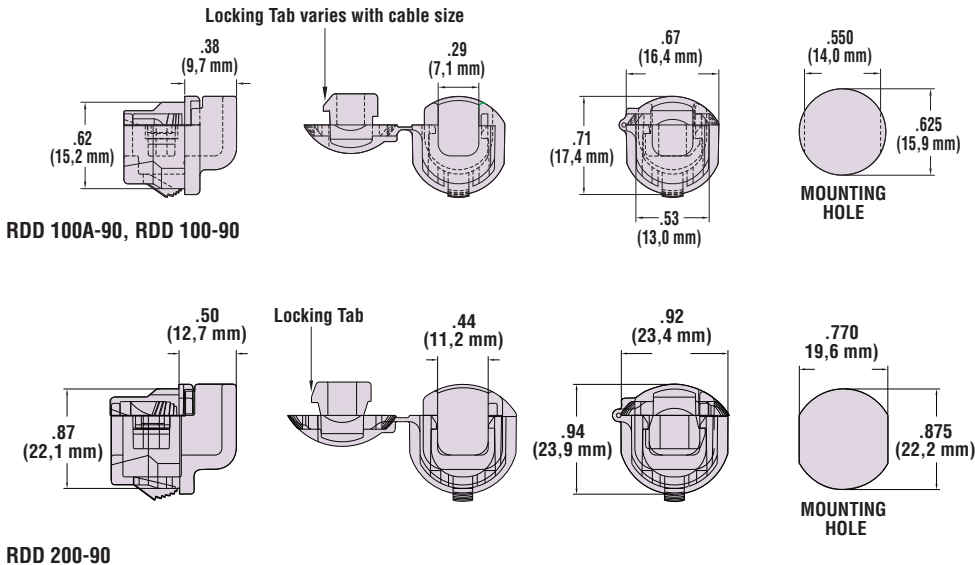
Snap onto **Flat Cables** for Faster Assembly into **Double D Mounting Holes** – *Semi-Automatic Equipment Available*



UL Type	WILL FIT THESE CABLES		PANEL DIMENSIONS				RDD LOCKIT STRAIN RELIEF for Faster Assembly			Corresponding Mounting Hole Plug	
	AWG/ Conductors	Approximate Size in. mm.	Mounting Hole Size in. mm.		Thickness in. mm.		Black	White	DESC.	PART NO.	DESC.
SPT-1	18/2 18/3	.105 x .222 2,9 x 5,6 .116 x .315 2,9 x 8,0	.625 w/ 15,9 w/ .550 flats 14,0 flats	.032 .040 .048 .063 .099	0,8 1,1 1,2 1,6 2,5	1806	1807	RDD 100A-90	2497	DD 625-550	
	SPT-2, HPN	18/2 18/3 16/3	.116 x .315 2,9 x 8,0 .160 x .300 4,1 x 7,6	.625 w/ 15,9 w/ .550 flats 14,0 flats	.032 .040 .048 .063 .099	0,8 1,1 1,2 1,6 2,5	1808	1809	RDD 100-90	2497	DD 625-550
HPN	18/3 16/3	.15 x .34 3,8 x 8,6 .16 x .37 4,1 x 9,4	.875 w/ 22,2 w/ .770 flats 19,6 flats	.032 .063 .099	0,8 1,6 2,5	1810	1811	RDD 200-90	2509	DD 875-770	
SPT-2	18/3 16/3	.15 x .40 3,8 x 10,2 .16 x .41 4,1 x 10,4	.875 w/ 22,2 w/ .770 flats 19,6 flats	.032 .063 .099	0,8 1,6 2,5	1810	1811	RDD 200-90	2509	DD 875-770	
SPT-3	18/2 18/3	.19 x .35 4,8 x 8,9 .19 x .39 4,8 x 9,9	.875 w/ 22,2 w/ .770 flats 19,6 flats	.099 .126 .157	2,5 3,2 4,0	1810	1811	RDD 200-90	2509	DD 875-770	
											16/2 16/3 14/2

Standard color black. Consult Heyco for white and other colors.

- **Right Angle design eases the cable into the bend**, prevents kinking and assures longest cable and product life.
- Assembly friendly! Independent of insertion into the panel, RDD Lockit™ Strain Reliefs self-lock onto the cable. Preassemble RDD Lockits off line for final assembly at a later time or remote location, for lower installed cost!
- Install easily with fingertip pressure into a standard round or Double D hole. No tools required, even for hand assembly.
- Protect the lifeline of your electric/electronic products by absorbing the forces of push and pull that may be exerted on the flexible power cord. Double D design eliminates the possibility of part rotation under forces of twist.
- Multiple panel locking steps secure Lockit Strain Reliefs into a wide range of panel thicknesses for a **flush, finished fit**.
- Heyco's automated Pre-Assembly Equipment speeds assembly of the RDD onto the cable and thus lowers costs while greatly reducing risk of carpal tunnel syndrome. See pages 4-15 & 4-16.
- Consult Heyco for other wire types and sizes.
- See page 4-38 for corresponding **Mounting Hole Plugs** which can be used to fill blank/unused Mounting Holes and thus allow for a single panel design for multiple applications.
- For Double D Mounting Hole Punches, see page 4-30.



Material	Nylon 6/6
Certifications	Recognized under the Component Program of Underwriters' Laboratories File E15331 Certified by the Canadian Standards Association File 8919
Flammability Rating	94V-2
Temperature Range	-.04°F (-18°C) to 221°F (105°C).

Quick Specs