

DATE	DESCRIPTION	REV.
8.24.10	CHANGE AS PER ECN 10-062	A
10.04.10	CHANGE PER ECN 10-069	B
10.26.10	CHANGE PER ECN 10-075	C
4.08.11	CHANGE PER ECN 11-046	D
10.08.13	CHANGE PER ECN 13-092	E
1.03.17	ECN 17-002, (F1) WAS 2.822 [71.64]	F

KEYSTONE ELECTRONICS CORP.
 www.keystec.com • ASTORIA, N.Y. 11105-2017 • Tel (718) 956-8900

PART NAME
 DUAL THM BATTERY HOLDER, 18650

MATERIAL
 AS NOTED

FINISH
 AS NOTED

DRN BY
 NT

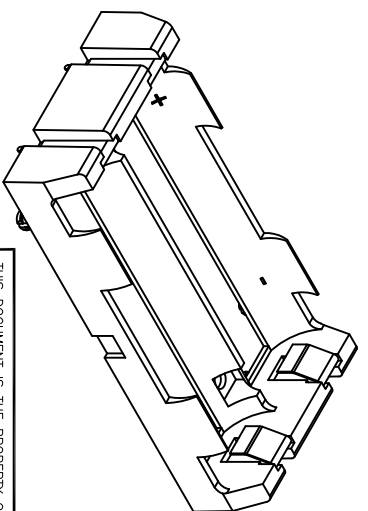
DATE
 8.19.10

App'D
 LN

SCALE
 1.25X

1049

- NOTE:
1. BASE:
MAT'L: HEAT RESISTANCE NYLON
STANYL 46 OR EQUIVALENT
 2. CONTACT:
MAT'L: .012 [0.30]THK STAINLESS STEEL
FINISH: TIN NICKEL PLATE



THIS DOCUMENT IS THE PROPERTY OF
 KEYSTONE ELECTRONICS CORP. AND
 SHALL NOT BE REPRODUCED, DISTRIBUTED
 OR USED AS A BASIS FOR MANUFACTURE
 WITHOUT PRIOR WRITTEN PERMISSION
 FROM KEYSTONE ELECTRONICS CORP.