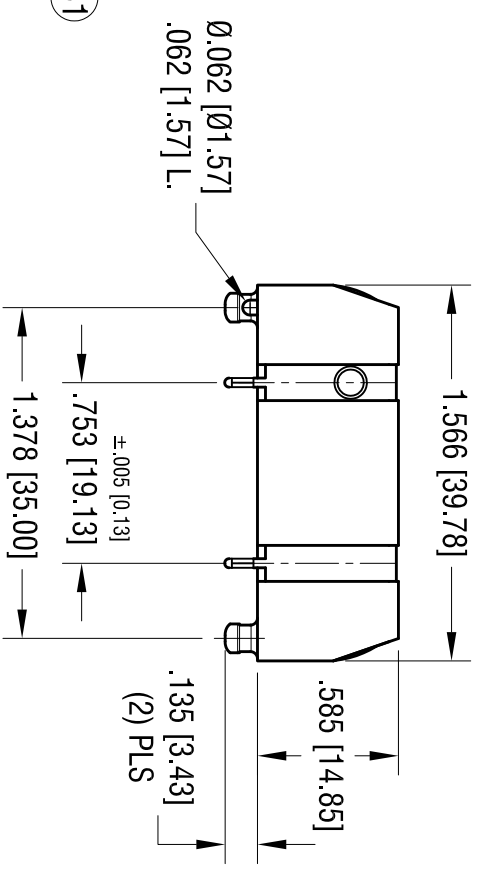
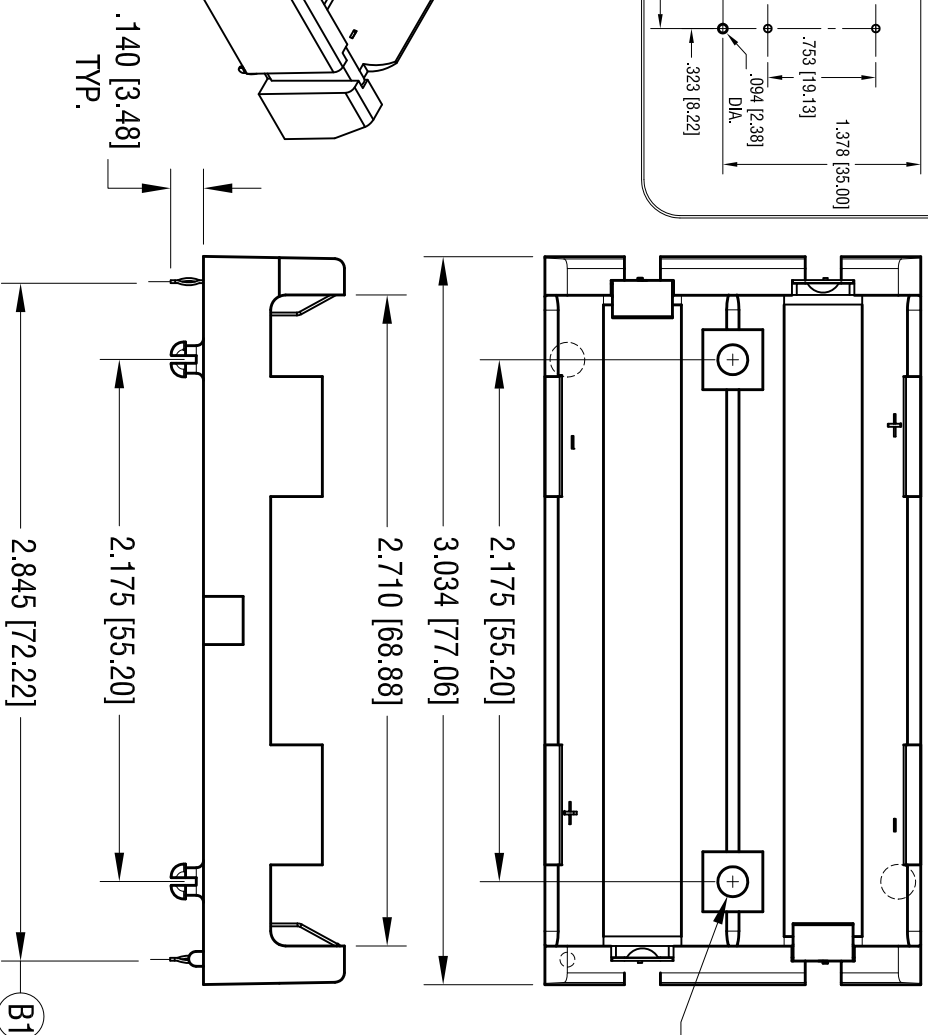
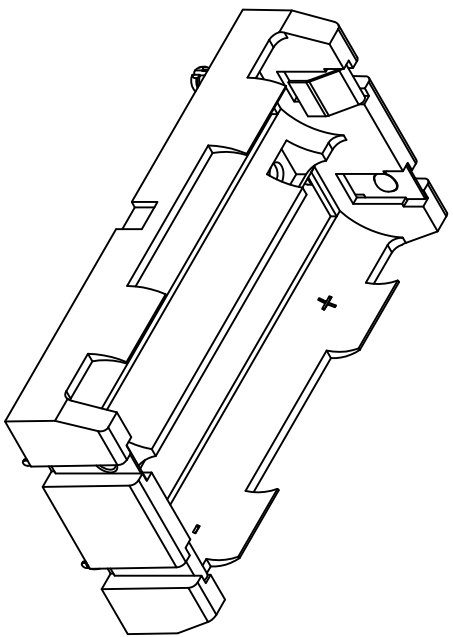
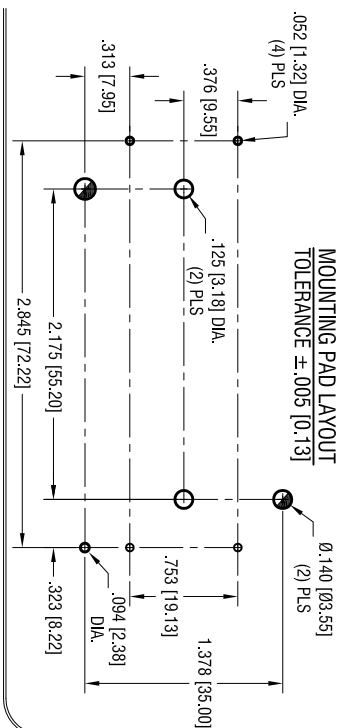


DATE	DESCRIPTION	REV.
10.08.13	CHANGE AS PER ECN 13-091	A
1.03.17	CHANGE AS PER ECN 17-003 B1 WAS 2.822 [71.64]	B



- NOTE:**
1. BASE:  
MATEL: HEAT RESISTANCE NYLON  
STANVYL 46 OR EQUIVALENT
  2. CONTACT:  
MATEL: .012 [0.30]THK STAINLESS STEEL  
FINISH: TIN NICKEL PLATE
  3. HOLDER DESIGNED FOR LONGER BATTERIES  
WITH BUILD IN CIRCUIT PROTECTION

THIS DOCUMENT IS THE PROPERTY OF  
KEYSTONE ELECTRONICS CORP. AND  
SHALL NOT BE REPRODUCED, DISTRIBUTED  
OR USED AS A BASIS FOR MANUFACTURE  
WITHOUT PRIOR WRITTEN PERMISSION  
FROM KEYSTONE ELECTRONICS CORP.

<b>KEYSTONE ELECTRONICS CORP.</b>			
<a href="http://www.kevelco.com">www.kevelco.com</a> • ASTORIA, N.Y. 11105-2017 • Tel (718) 956-8900			
PART NAME <b>DUAL THM POLARIZED HOLDER</b>			
MATERIAL <b>AS NOTED</b>			
FINISH <b>AS NOTED</b>	DRN BY <b>NT</b>	DATE <b>7.15.13</b>	
TOLERANCES INCH $\pm .010$ [± 0.25] DECIMAL $\pm .010$ [± 0.25] ANGULAR $\pm 1^\circ$	CODE <b>C</b>	DWG NO. <b>1049P</b>	App'D <b>RH</b> SCALE <b>1.25X</b>