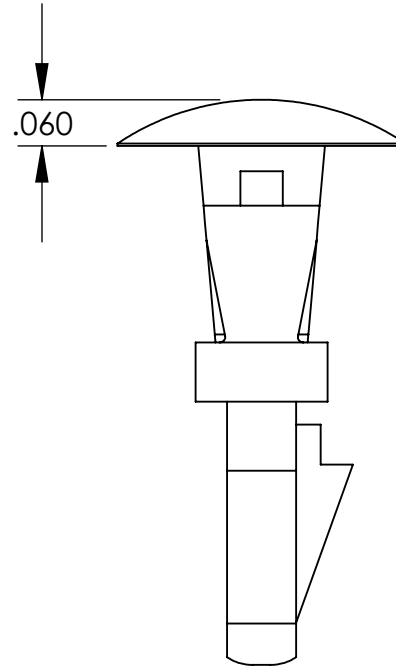
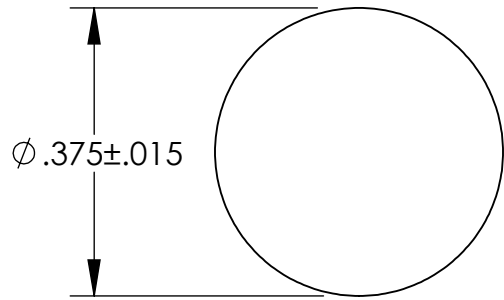
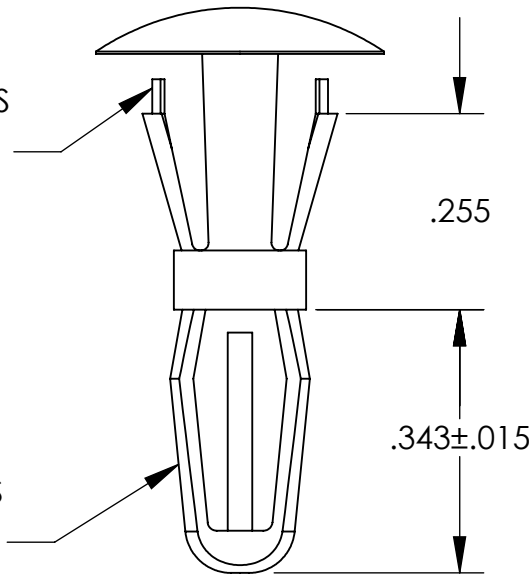


UNCONTROLLED DOCUMENT



CHASSIS END SNAPS
INTO A .187 HOLE
PANEL THICKNESS
IS .059 / .063



BOARD END SNAPS
INTO A .125 HOLE
PANEL THICKNESS
IS .059 / .063

TOLERANCES UNLESS NOTED

- ±.005 ON DIMENSIONS THRU .625
- ±.008 ON DIMENSIONS .626 THRU 1.000
- ±.010 ON DIMENSIONS 1.001 THRU 1.500
- ±.015 ON DIMENSIONS LARGER THAN 1.500
- ±.015 ON FRACTIONAL DIMENSIONS

WE RESERVE THE RIGHT
TO DISCONTINUE ITEMS,
CHANGE SPECIFICATIONS
OR DESIGN AT ANY TIME
WITHOUT NOTICE AND
WITHOUT INCURRING
ANY OBLIGATIONS

PROPERTY OF
MICRO PLASTICS INC.

CATALOG DRAWING
REVERSE LOCKING CB SUPPORT
MICRO P/N 27RV00250
DWG. # 27RV00250
FILE SERVER\ENG\WEB

MATERIAL: NYLON 6/6

DATE

SCALE
4:1

SD