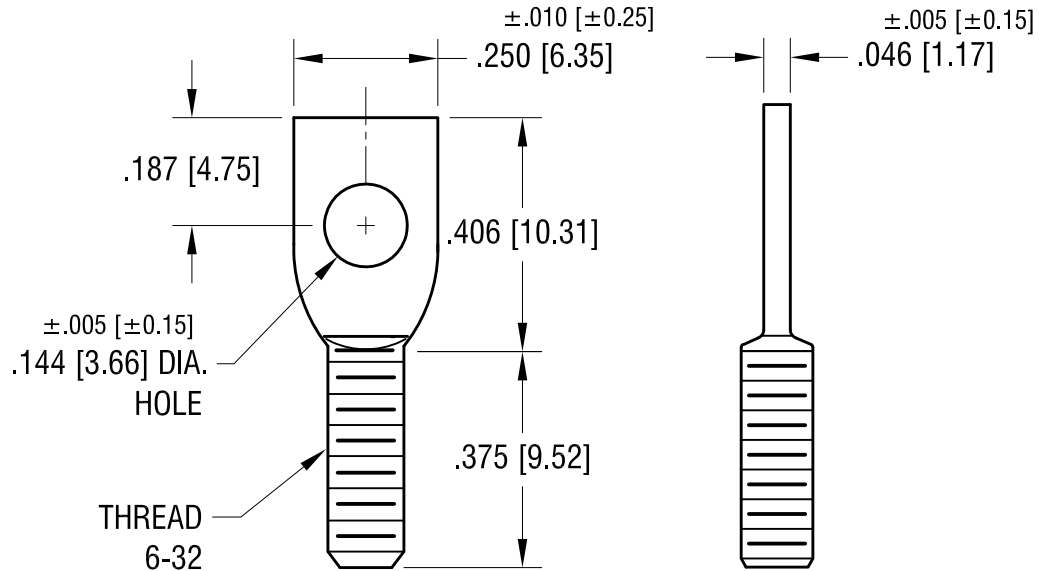


THIS DOCUMENT IS THE PROPERTY OF
KEYSTONE ELECTRONICS CORP. AND
SHALL NOT BE REPRODUCED, DISTRIBUTED
OR USED AS A BASIS FOR MANUFACTURE
WITHOUT PRIOR WRITTEN PERMISSION
FROM KEYSTONE ELECTRONICS CORP.

ACTUAL SIZE



KEYSTONE ELECTRONICS CORP.			
www.keyelco.com • ASTORIA, N.Y. 11105-2017 • Tel (718) 956-8900			
PART NAME		SPADE BOLT	
MATERIAL		STEEL	
FINISH		DRN BY	DATE
ZINC PLATE		NT	3.20.13
		APP'D	SCALE
		LN	3X
TOLERANCES	INCH	[MM]	CODE
DECIMAL	$\pm .015$	[± 0.38]	DWG NO.
ANGULAR	$\pm 1^\circ$		1259
UNLESS OTHERWISE SPECIFIED			

3.20.13	CHANGE AS PER ECN 13-029	B
7.22.91	REVISED	A
DATE	DESCRIPTION	REV.