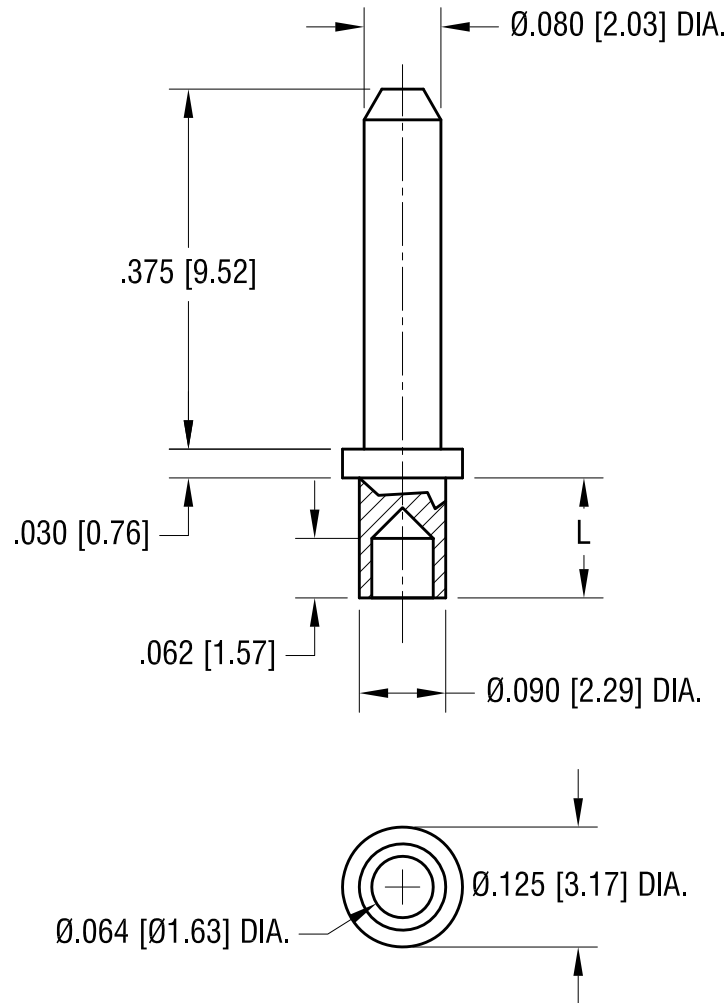


THIS DOCUMENT IS THE PROPERTY OF  
KEYSTONE ELECTRONICS CORP. AND  
SHALL NOT BE REPRODUCED, DISTRIBUTED  
OR USED AS A BASIS FOR MANUFACTURE  
WITHOUT PRIOR WRITTEN PERMISSION  
FROM KEYSTONE ELECTRONICS CORP.

ACTUAL SIZE

P/N 1455-3



NOTE:

1. MOUNTING HOLE  $.094$  [2.38] DIA.

PART NO.	'L' DIM.
1455-2	$.094$ [2.39]
1455-3	$.125$ [3.18]
1455-4	$.156$ [3.96]

DATE	DESCRIPTION	REV.
5.07.09	CHANGE AS PER ECN 09-037	A

**KEYSTONE ELECTRONICS CORP.**  
www.keyelco.com • NEW HYDE PARK, NY 11040 • Tel (516) 328-7500

PART NAME: MICRO PIN, SWAGE MOUNT

MATERIAL: BRASS

FINISH: TIN PLATE

DRN BY: BOONE DATE: 9.06.96

APP'D: LN SCALE: 5X

TOLERANCES INCH [MM]  
DECIMAL  $\pm .005$  [ $\pm 0.13$ ]  
ANGULAR  $\pm 1^\circ$   
UNLESS OTHERWISE SPECIFIED

CODE: C

DWG NO.: 1455-