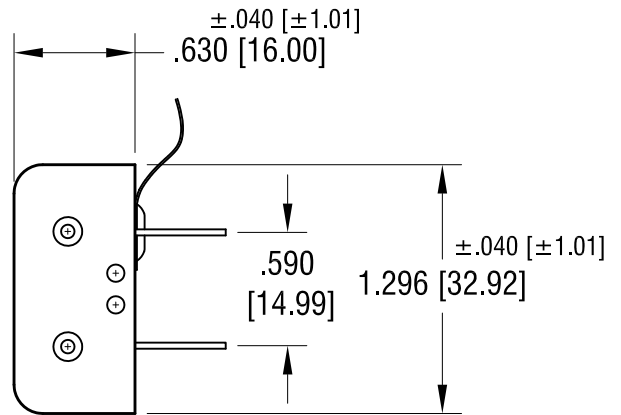
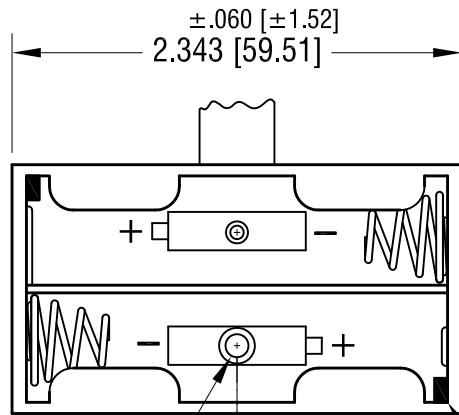
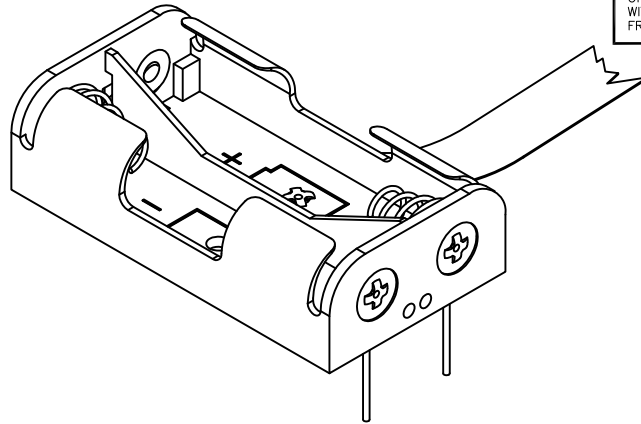
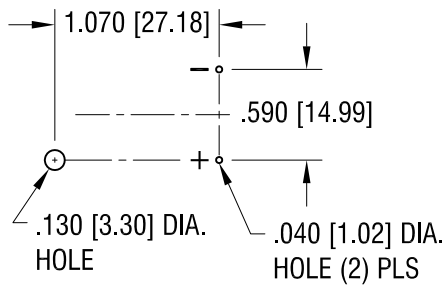


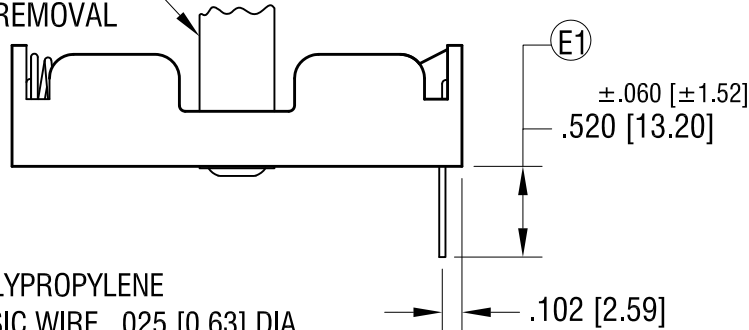
THIS DOCUMENT IS THE PROPERTY OF KEYSTONE ELECTRONICS CORP. AND SHALL NOT BE REPRODUCED, DISTRIBUTED OR USED AS A BASIS FOR MANUFACTURE WITHOUT PRIOR WRITTEN PERMISSION FROM KEYSTONE ELECTRONICS CORP.

MOUNTING DETAIL



.120 [3.05] DIA. HOLE
BATTERY POLARITY TAB (2) PLS

RIBBON FOR BATTERY REMOVAL



NOTE:

- 1. HOLDER: MAT'L: POLYPROPYLENE
- SPRING: MAT'L: MUSIC WIRE, .025 [0.63] DIA.
- PC TERMINALS: MAT'L: BRASS, .032 [0.81] DIA.
- RIBBON: MAT'L: NYLON, RED

11.19.19	ECN 19-088, (E1) WAS .472±.060	E
3.29.12	CHANGE AS PER ECN 12-039	D
11.10.11	CHANGE AS PER ECN 11-152	C
5.2.06	ECN 06-026 SPLIT DWG C+M GENERAL TOLERANCE WAS .015	B
4.7.04	ECN 04-045 POLARITY TABS INFO.	A
DATE	DESCRIPTION	REV.

KEYSTONE ELECTRONICS CORP.			
www.keyelco.com • NEW HYDE PARK, NY 11040 • Tel (516) 328-7500			
PART NAME			
PC BATTERY HOLDER (2) 'AA' W/ RIBBON			
MATERIAL			
AS NOTED			
FINISH		DRN BY	DATE
NICKEL PLATE		BOONE	12.01.03
		APP'D	SCALE
		RH	1X
TOLERANCES		CODE	
INCH	[MM]	DWG NO.	
DECIMAL	±.010 [±0.25]	2462RB	
ANGULAR	± 1°		
UNLESS OTHERWISE SPECIFIED		C	