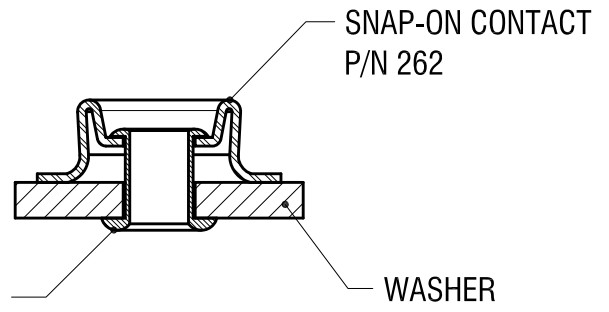
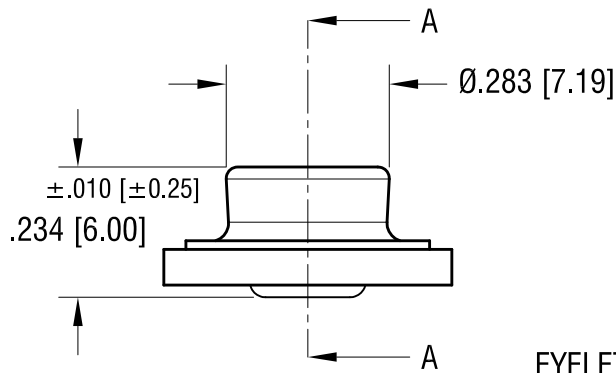
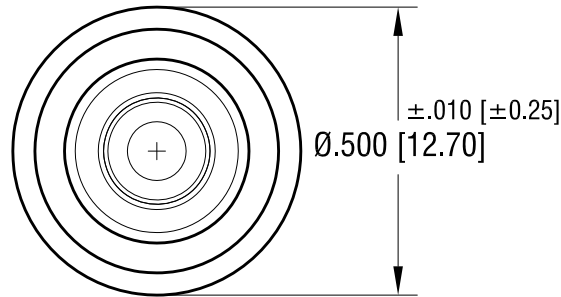


THIS DOCUMENT IS THE PROPERTY OF
KEYSTONE ELECTRONICS CORP. AND
SHALL NOT BE REPRODUCED, DISTRIBUTED
OR USED AS A BASIS FOR MANUFACTURE
WITHOUT PRIOR WRITTEN PERMISSION
FROM KEYSTONE ELECTRONICS CORP.

ACTUAL SIZE



SECTION A-A

NOTE:

1. SNAP-ON CONTACT: MAT'L- BRASS
FINISH- NICKEL PLATE
2. WASHER: MAT'L- .062 [1.57] TH'K PHENOLIC
3. CONTACT EYELETED TO WASHER

KEYSTONE ELECTRONICS CORP.

www.keyelco.com • ASTORIA, N.Y. 11105-2017 • Tel (718) 956-8900

PART NAME		SNAP-ON	
MATERIAL		AS NOTED	
FINISH	AS NOTED	DRN BY	L.N.
		APP'D	LN
		DATE	2.8.82
		SCALE	3X
TOLERANCES	INCH [MM]	CODE	DWG NO.
DECIMAL	± .005 [± 0.13]	C	
ANGULAR	± 1°		
UNLESS OTHERWISE SPECIFIED			273

5.23.16 REDRAWN IN CAD&SOLID FORMAT

DATE	DESCRIPTION	REV.
------	-------------	------