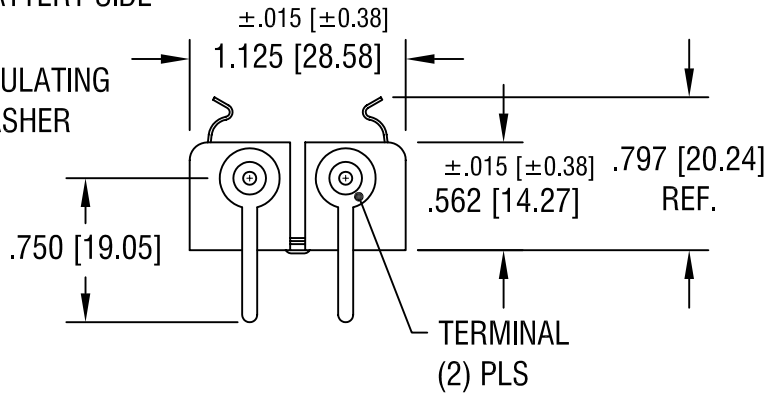
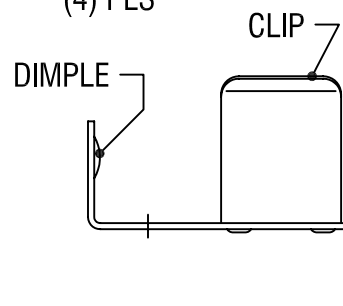
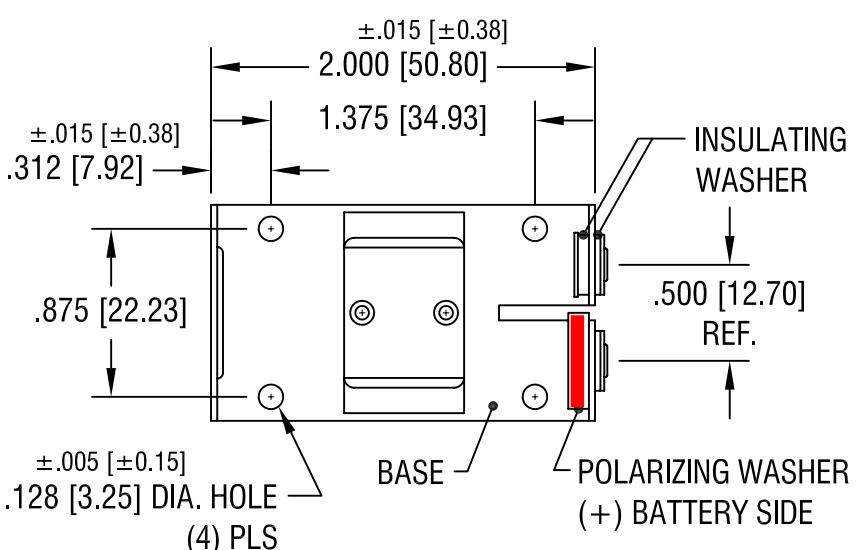
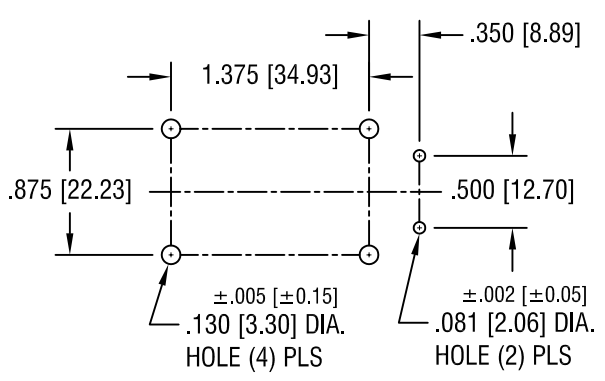


THIS DOCUMENT IS THE PROPERTY OF KEYSTONE ELECTRONICS CORP. AND SHALL NOT BE REPRODUCED, DISTRIBUTED OR USED AS A BASIS FOR MANUFACTURE WITHOUT PRIOR WRITTEN PERMISSION FROM KEYSTONE ELECTRONICS CORP.

MOUNTING DETAIL



NOTES:

- 1. BASE: MAT'L - .032 [.81] TH'K ALUMINUM
- CLIP: MAT'L - .015 [.38] TH'K STEEL, NICKEL PLATE
- TERMINAL: MAT'L - BRASS, TIN PLATE
- EYELET: MAT'L - BRASS, TIN PLATE
- POLARIZING WASHER: MAT'L - POLYETHYLENE, RED

KEYSTONE ELECTRONICS CORP.			
ASTORIA, N.Y. 11105-2017			
PART NAME		9 VOLT PC BATTERY HOLDER	
MATERIAL AS NOTED			
FINISH		DRN BY	DATE
AS NOTED		BOONE	1.12.07
		APP'D	SCALE
		LN	1X
TOLERANCES		CODE	
INCH	[MM]	DWG NO.	
DECIMAL	±.010 [±0.25]	303-P	
ANGULAR	± 1°		
UNLESS OTHERWISE SPECIFIED		C	

DATE	DESCRIPTION	REV.