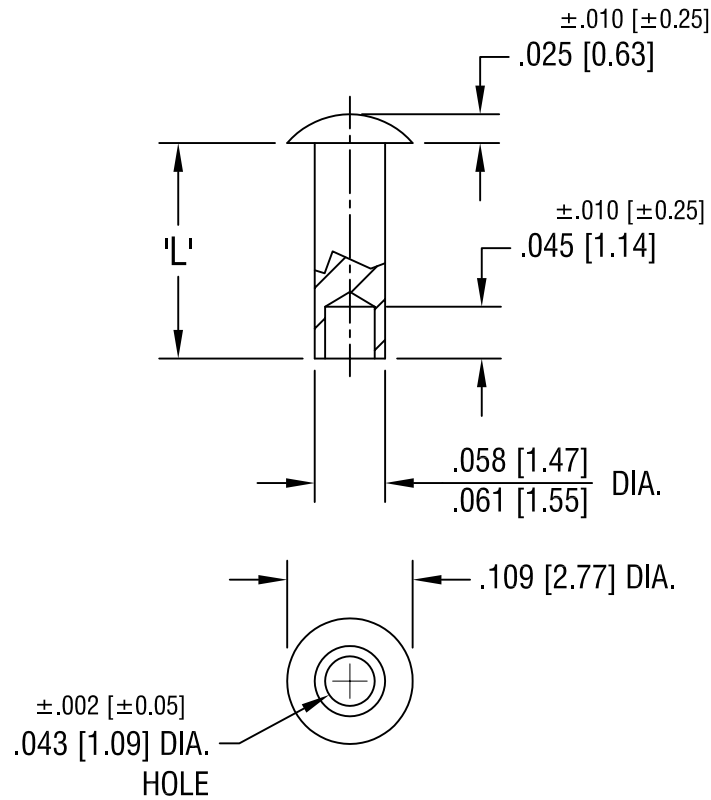


THIS DOCUMENT IS THE PROPERTY OF  
KEYSTONE ELECTRONICS CORP. AND  
SHALL NOT BE REPRODUCED, DISTRIBUTED  
OR USED AS A BASIS FOR MANUFACTURE  
WITHOUT PRIOR WRITTEN PERMISSION  
FROM KEYSTONE ELECTRONICS CORP.



| PART NO. | 'L' DIM.    |
|----------|-------------|
| 3381     | .125 [3.18] |
| 3382     | .156 [3.96] |
| 3383     | .187 [4.75] |

**KEYSTONE ELECTRONICS CORP.**

ASTORIA, N.Y. 11105-2017

|            |  |                           |  |                            |       |                  |         |
|------------|--|---------------------------|--|----------------------------|-------|------------------|---------|
| PART NAME  |  |                           |  | RIVET, SEMI-TUBULAR        |       |                  |         |
| MATERIAL   |  |                           |  | BRASS                      |       |                  |         |
| FINISH     |  | DUCTILE<br>NICKEL PLATE   |  | DRN BY                     | BOONE | DATE             | 8.31.00 |
|            |  |                           |  | APP'D                      | LN    | SCALE            | 6X      |
| TOLERANCES |  | INCH [MM]                 |  | CODE                       |       | DWG NO.          |         |
| DECIMAL    |  | $\pm .005$ [ $\pm 0.15$ ] |  | C/M                        |       | <b>3381-3383</b> |         |
| ANGULAR    |  | $\pm 1^\circ$             |  | UNLESS OTHERWISE SPECIFIED |       |                  |         |

|         |                          |      |
|---------|--------------------------|------|
| 2.26.08 | CHANGE AS PER ECN 08-088 | A    |
| DATE    | DESCRIPTION              | REV. |