

.250 (6.4) DIAMETER FUSE CLIPS

Refer to pages 38-40 for Fuse Clip Layout and Mounting Details

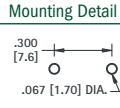
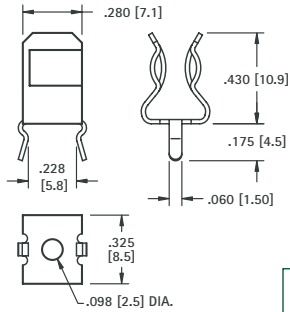
For 1AG, 3AG, 7AG, 8AG THRU HOLE MOUNT TYPES

WITH SNAP-IN PC LEGS

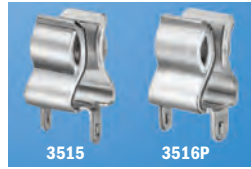


MATERIAL:
.020 (.51) thick Brass, Tin Plate
Current Rating: 15 Amps

CAT. NO. 3513

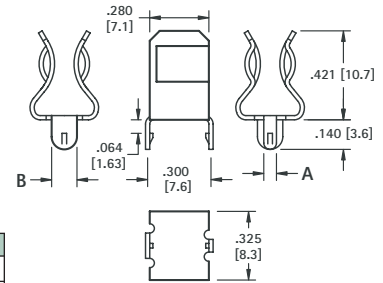


WITH SNAP-IN PC LEGS



MATERIAL:
.020 (.51) thick Brass, Tin Plate
Current Rating: 15 Amps

CAT. NO.	A	B
3515	.060 (1.5)	.060 (1.5)
3515P	.060 (1.5)	.093 (2.4)
3516P	.060 (1.5)	.120 (3.0)



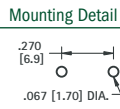
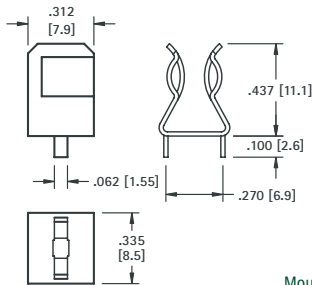
With or Without Orientation Legs

WITH STRAIGHT PC LEGS



MATERIAL:
.020 (.51) thick Brass, Tin Plate
Current Rating: 15 Amps

CAT. NO. 3530

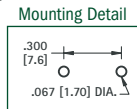
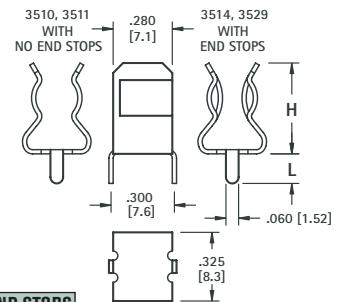


WITH STRAIGHT PC LEGS



MATERIAL:
.020 (.51) thick Brass, Tin Plate
Current Rating: 15 Amps

CAT. NO.	H	L	END STOPS
3510	.421 (10.7)	.140 (3.6)	NO
3529	.421 (10.7)	.140 (3.6)	YES
3511	.430 (10.9)	.250 (6.4)	NO
3514	.430 (10.9)	.250 (6.4)	YES



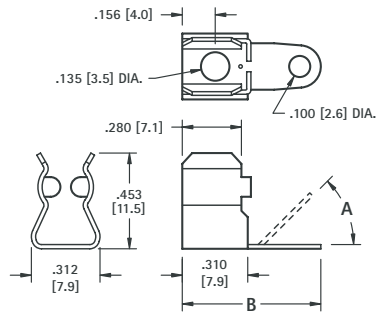
WITH SOLDER LUG

For 1AG, 3AG, 7AG, 8AG RIVET & SURFACE MOUNT TYPES



MATERIAL:
.020 (.51) thick Brass, Nickel Plate
Current Rating: 15 Amps

CAT. NO.	A	B
3533	Flat	.656 (16.7)
3535	45°	.562 (14.3)
3570	-	NO TAB

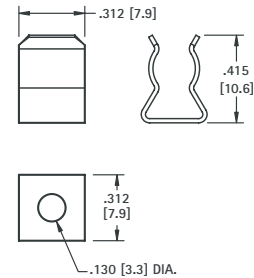


LOW PROFILE



MATERIAL:
.020 (.51) thick Brass, Nickel Plate
Current Rating: 15 Amps

CAT. NO. 3531 (Without End Stops)

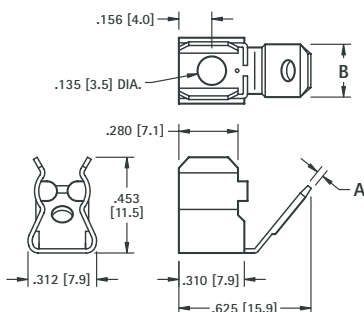


WITH QUICK-FIT TAB



MATERIAL:
.020 (.51) thick Brass, Nickel Plate
Current Rating: 15 Amps

CAT. NO.	A	B
4246	.020 (0.5)	.187 (4.7)
4247	.020 (0.5)	.205 (5.2)
4244	.032 (0.8)	.250 (6.4)



WITH OR WITHOUT END STOPS



MATERIAL:
.020 (.51) thick Brass, Nickel Plate
Current Rating: 15 Amps

CAT. NO.	END STOPS
3532	YES
3567	NO

