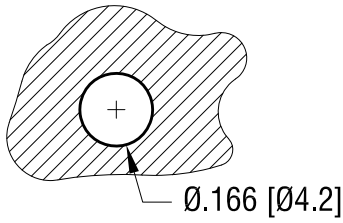
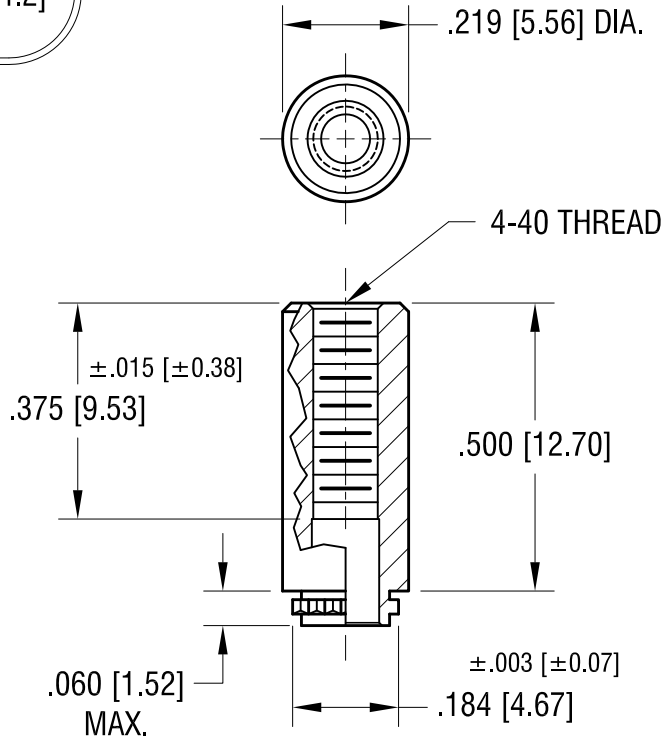
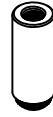


THIS DOCUMENT IS THE PROPERTY OF KEYSTONE ELECTRONICS CORP. AND SHALL NOT BE REPRODUCED, DISTRIBUTED OR USED AS A BASIS FOR MANUFACTURE WITHOUT PRIOR WRITTEN PERMISSION FROM KEYSTONE ELECTRONICS CORP.

MOUNTING HOLE:



ACTUAL SIZE



1.22.13	CHANGE AS PER ECN 13-003	C
12.19.05	CHANGE AS PER ECN 05-085	B
6.19.00	CHANGE AS PER ECN 00-054	A
DATE	DESCRIPTION	REV.

KEYSTONE ELECTRONICS CORP.			
www.keyelco.com • ASTORIA, N.Y. 11105-2017 • Tel (718) 956-8900			
PART NAME			
FORCE-FIT STANDOFF, THREADED			
MATERIAL			
STAINLESS STEEL			
FINISH		DRN BY	DATE
-		BOONE	3.6.00
		APP'D	SCALE
		RH	3X
TOLERANCES	INCH [MM]	CODE	DWG NO.
DECIMAL	± .005 [± 0.15]	C	4865
ANGULAR	± 1°		
UNLESS OTHERWISE SPECIFIED			