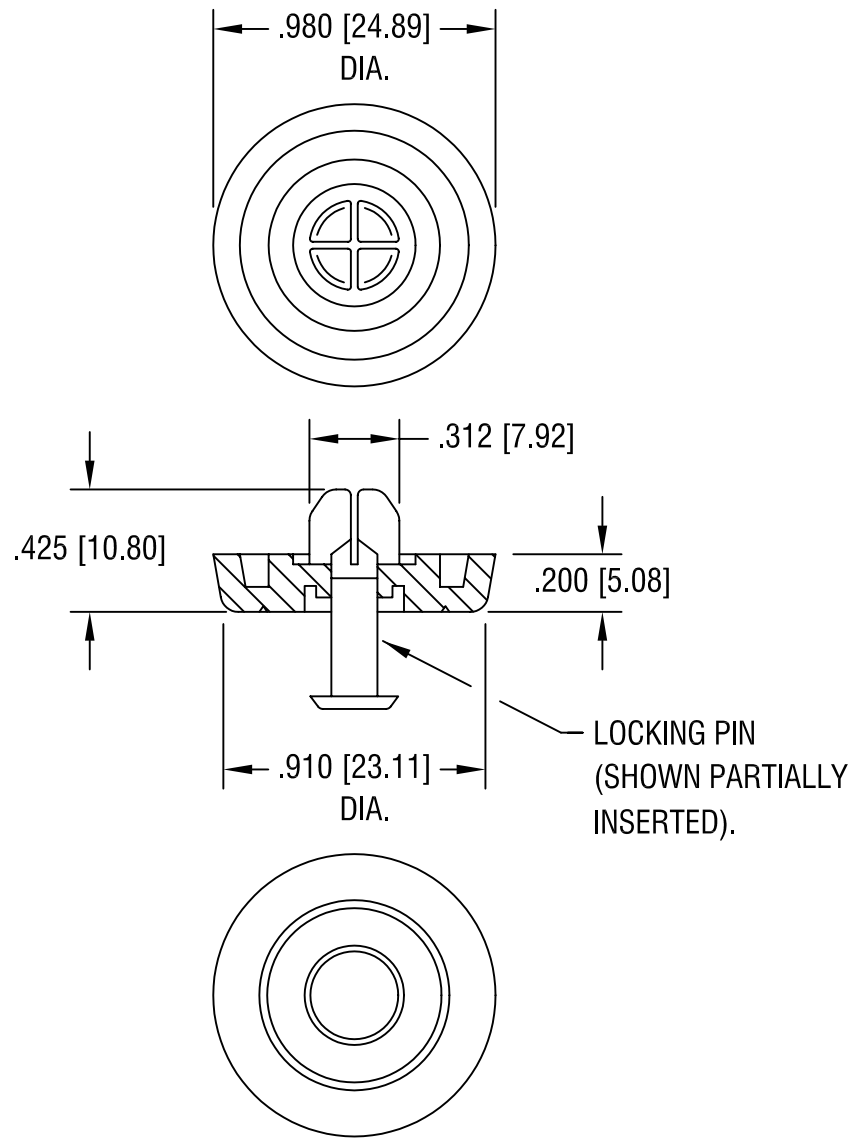


THIS DOCUMENT IS THE PROPERTY OF  
KEYSTONE ELECTRONICS CORP. AND  
SHALL NOT BE REPRODUCED, DISTRIBUTED  
OR USED AS A BASIS FOR MANUFACTURE  
WITHOUT PRIOR WRITTEN PERMISSION  
FROM KEYSTONE ELECTRONICS CORP.



LOCKING PIN  
(SHOWN PARTIALLY  
INSERTED).

NOTE:

- 1. MAT'L:  
FOOT: SANTOPRENE, BLACK  
PIN: POLYPROPYLENE, BLACK
- 2. RECOMMENDED MOUNTING HOLE:  
.305 [7.75] DIA.

<b>KEYSTONE ELECTRONICS CORP.</b>			
ASTORIA, N.Y. 11105-2017			
PART NAME		SELF-LOCKING BUMPER	
MATERIAL		AS NOTED	
FINISH	DRN BY	DATE	
-	BOONE	2.24.97	
	APPD	SCALE	
	LN	1.5X	
TOLERANCES	INCH	[MM]	CODE
DECIMAL	$\pm .020$	$[\pm 0.50]$	C/M
ANGULAR	$\pm 1^\circ$		
UNLESS OTHERWISE SPECIFIED			DWG NO.
			<b>717</b>

DATE	DESCRIPTION	REV.