

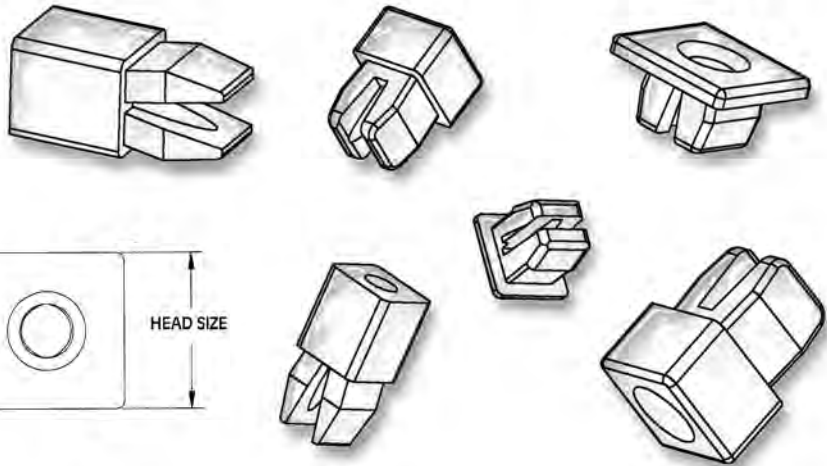
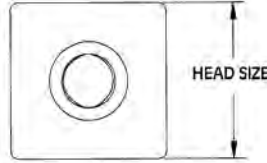
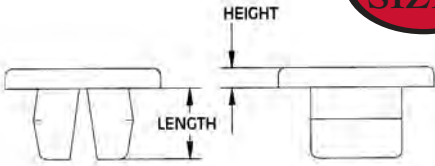
# PANEL FASTENERS AND HOLE PLUGS

## SECTION VI

### GROMMET NUTS

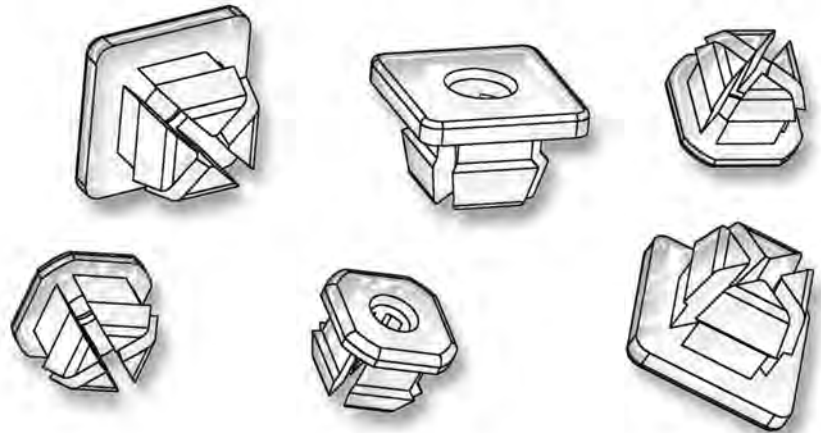
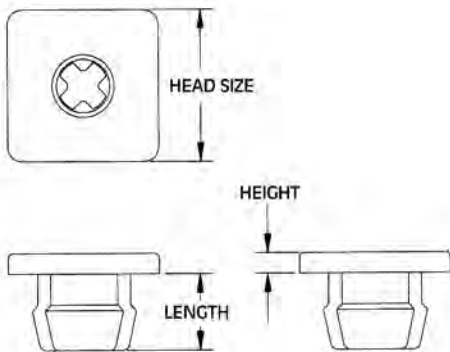
Molded in Natural Nylon 6/6

**New SIZES**



### SQUARE HEAD

PART NUMBER	HOLE SIZE RCT	PANEL THICKNESS	SCREW SIZE	HEAD SIZE	HEIGHT	LENGTH
60SGN00914	.270/.275 (6,86/6,99)	.031/.109 (0,79/2,77)	6	3/8 (9,53)	.305 (7,75)	9/32 (7,14)
60SGN01154	.320/.320 (8,12/8,12)	.031/.155 (0,79/3,93)	10	.650 (16,51)	.072 (1,82)	.305 (7,74)
60SGN01171	.200/.270 (5,08/6,86)	.032/.156 (0,81/3,96)	6	.312/.437 (7,93/11,1)	.035 (0,89)	.312 (7,93)
60SGN01175	.275/.280 (6,99/7,11)	.062/.120 (1,60/3,05)	6	.390 (9,90)	.055 (1,40)	.281 (7,14)
60SGN01176	.260/.270 (6,61/6,86)	.093/.187 (2,36/4,75)	6	.410 (10,41)	.040 (1,02)	.310 (7,87)
60SGN01177	.275/.275 (6,99/6,99)	.187/.250 (4,76/6,35)	4	3/8 (9,53)	.035 (0,89)	.390 (9,92)
60SGN01178	.275/.275 (6,99/6,99)	.047/.180 (1,19/4,57)	8	.375 (9,53)	.032 (0,81)	.327 (8,31)
60SGN01179	.370/.445 (9,40/11,30)	.062/.120 (1,19/4,57)	1/4	5/8 (15,88)	.080 (2,04)	9/32 (7,14)
60SGN01180	.370/.375 (9,40/9,50)	.062/.120 (1,60/3,05)	1/4	.625 (15,90)	.080 (2,04)	.281 (7,14)
60SGN01182	.370/.375 (9,40/9,50)	.125/.250 (3,17/6,35)	1/4	5/8 (15,87)	.080 (2,04)	.406 (10,31)
60SGN01185	.320/.335 (8,08/8,51)	.032/.234 (0,81/5,94)	10	.470 (11,94)	.055 (1,40)	.420 (10,67)
60SGN01190	.335/.345 (8,51/8,76)	.062/.171 (1,58/4,35)	10	.468 (11,88)	.095 (2,42)	.400 (10,16)
60SGN01195	.330/.365 (8,38/9,28)	.032/.095 (0,81/2,41)	10	.493 (12,52)	.094 (2,39)	.295 (7,50)
60SGN01200	.250/.260 (6,35/6,61)	.062/.125 (1,58/3,18)	6	.375 (9,53)	.140 (3,56)	.265 (6,73)
60SGN03400	.312/.325 (7,92/8,25)	.171 (4,34)	10	.472 (11,98)	.059 (1,49)	.295 (7,49)



### DOUBLE SPLIT SQUARE

PART NUMBER	HOLE SIZE RCT	PANEL THICKNESS	SCREW SIZE	HEAD SIZE	HEIGHT	LENGTH
60SGN01010	.377/.382 (9,58/9,70)	.125/.130 (3,18/3,30)	10	39/64 (15,48)	.082 (2,08)	.308 (7,82)
60SGN01015	.228/.233 (5,79/5,92)	.250/.271 (6,35/6,88)	8	.375 (9,53)	.031 (0,79)	.406 (10,31)
60SGN01018	.310/.315 (7,87/8,00)	.110/.115 (2,79/2,92)	8	.437 (11,10)	.078 (1,98)	.281 (7,14)
60SGN01019	.305/.310 (7,75/7,87)	.125/.135 (3,18/3,43)	8	.437 (11,10)	.062 (1,57)	.281 (7,14)
60SGN01021	.375/.390 (9,53/9,91)	.230 (5,48)	1/4	5/8 (15,88)	.080 (2,03)	.438 (11,13)
60SGN01025	.250/.250 (6,35/6,35)	.093/.275 (0,91/6,99)	8	.375 (9,53)	.047 (1,19)	.420 (10,67)
60SGN01128	.330/.330 (8,38/8,38)	.031/.125 (0,79/3,18)	8	.505 (12,83)	.032 (0,81)	.275 (6,98)
60SGN01030	.303 (7,70)	.031/.145 (0,79/3,68)	8-10	.435 (11,05)	.062 (1,57)	.270 (6,86)
60SGN01181	.410/.410 (10,42/10,42)	.031/.062 (0,79/1,58)	1/4	.630 (16,00)	.140 (3,56)	.280 (7,12)