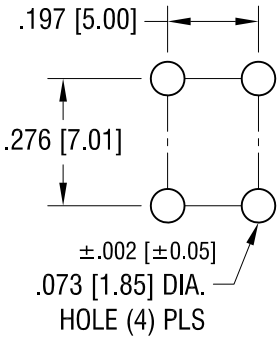
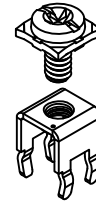


THIS DOCUMENT IS THE PROPERTY OF KEYSTONE ELECTRONICS CORP. AND SHALL NOT BE REPRODUCED, DISTRIBUTED OR USED AS A BASIS FOR MANUFACTURE WITHOUT PRIOR WRITTEN PERMISSION FROM KEYSTONE ELECTRONICS CORP.

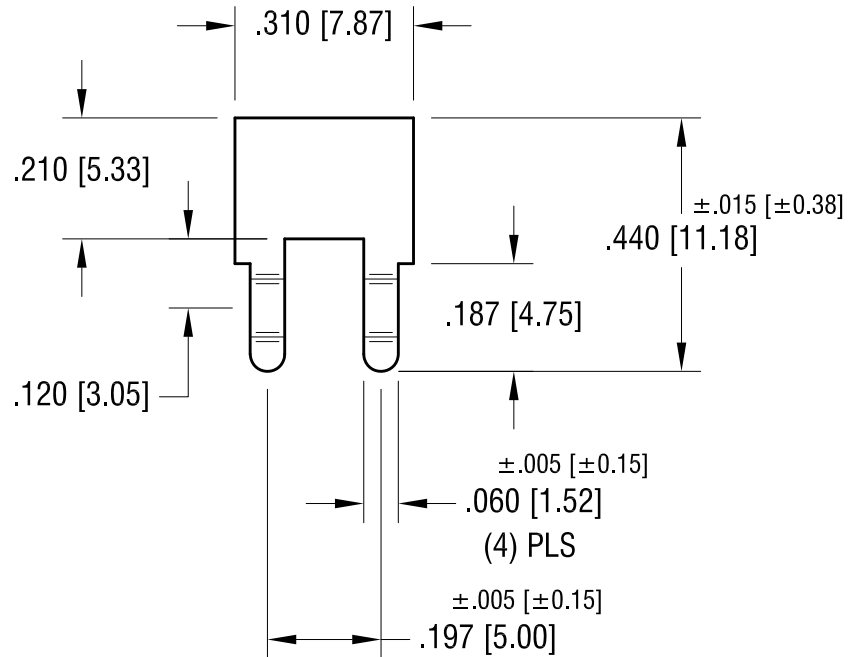
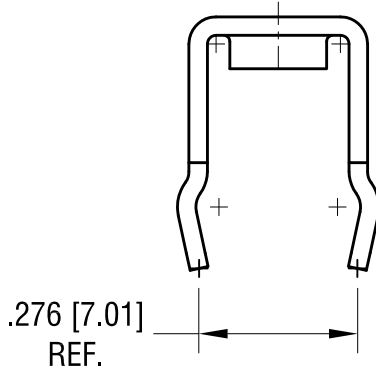
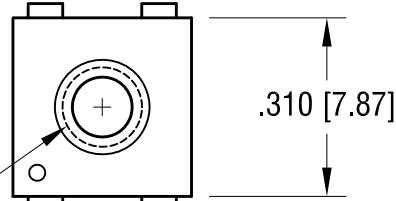
MOUNTING DETAIL



ACTUAL SIZE



6-32 THREAD
CLASS 2B



NOTE:

- 1. TERMINAL:
MAT'L - .032 [0.81] TH'K BRASS, MATTE TIN PLATE
- COMBINATION SEMS SCREW :
ONE (1) 6-32 x 1/4 L., SUPPLIED LOOSE.
MAT'L - STEEL, NICKEL PLATE

KEYSTONE ELECTRONICS CORP.			
www.keyelco.com • NEW HYDE PARK, NY 11040 • Tel (516) 328-7500			
PART NAME		PS SCREW TERMINAL	
MATERIAL		AS NOTED	
FINISH	DRN BY	DATE	
AS NOTED	NT	6.23.10	
	APP'D	SCALE	
	LN	3X	
TOLERANCES	INCH	[MM]	CODE
DECIMAL	± .010	[± 0.25]	C
ANGULAR	± 1°		
UNLESS OTHERWISE SPECIFIED			
DWG NO.		7691-SEMS	

10.21.11	CHANGE AS PER ECN 11-136	A
DATE	DESCRIPTION	REV.