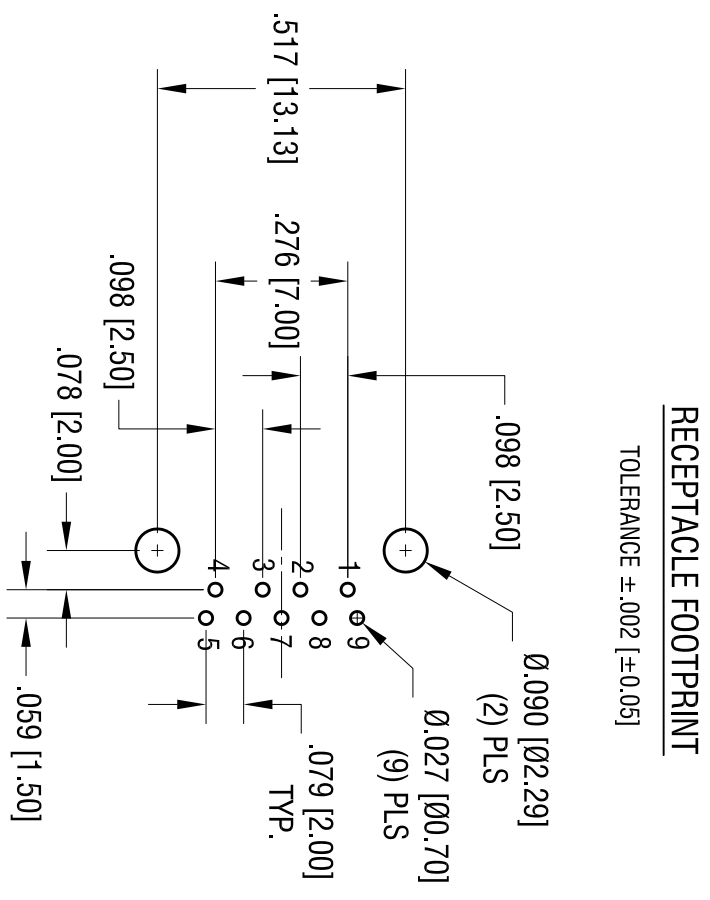
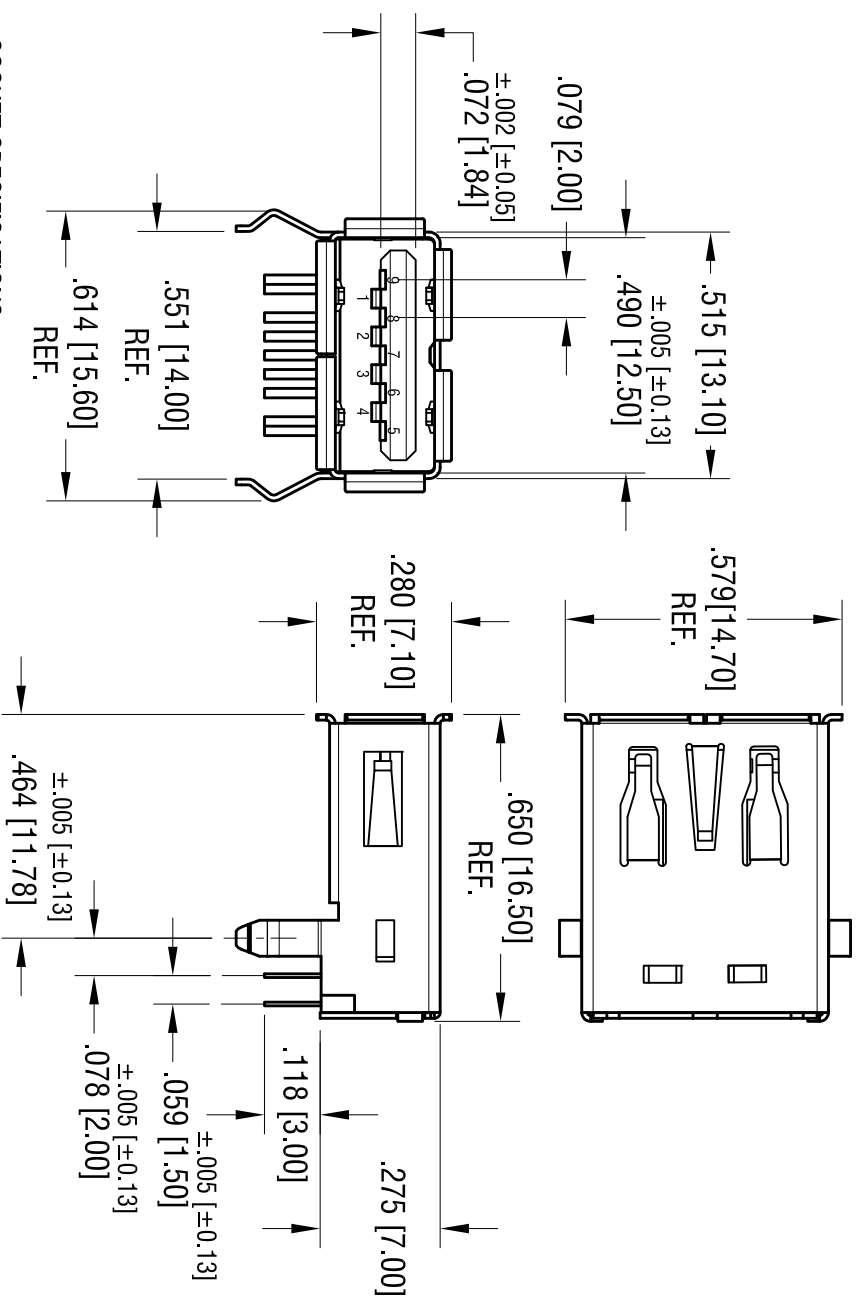
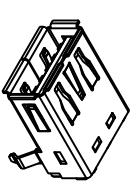


DATE	DESCRIPTION	REV.
5.31.11	CHANGE AS PER ECN 11-073	A



SOCKET SPECIFICATIONS:
 SHELL: MAT'L- BRASS, NICKEL PLATE
 CONTACT: MAT'L-.008 [0.20] PHOSPHOR BRONZE AND .008 [0.20] BRASS
 INSULATION: MAT'L- THERMOPLASTIC (BLUE COLOR), UL 94V-0
 FINISH- GOLD FLASH OVER NICKEL ON CONTACT AREA
 TIN OVER NICKEL ON SOLDER TAILS

ELECTRICAL CHARACTERISTICS:
 CONTACT RESISTANCE: 30m Ω max.
 INSULATION RESISTANCE: 1000 mega Ω min.
 DIELECTRIC VOLTAGE : 1.8 Amp AT 250 V AC MIN.
 OPERATING TEMPERATURE: -13°F (-25°C) TO 176°F (+80°C)
MECHANICAL CHARACTERISTICS:
 INSERTION FORCE: 35N MAX.
 EXTRACTION FORCE: 10 N MIN. , AND 8N MIN. AFTER THE SPECIFIED



ACTUAL SIZE

KEYSTONE ELECTRONICS CORP.			
www.keystone.com • NEW HYDE PARK, NY 11040 • Tel (516) 328-7500			
PART NAME USB TYPE A RECEPTICLE			
MATERIAL AS NOTED			
FINISH AS NOTED		DRN BY NT	
AS NOTED		DATE 4.06.10	
TOLERANCES INCH [MM]		CODE DWG NO.	
DECIMAL ± .010 [± 0.25]		C	
ANGULAR ± 1°		LN	
UNLESS OTHERWISE SPECIFIED		SCALE 2.5X	
		945	

THIS DOCUMENT IS THE PROPERTY OF KEYSTONE ELECTRONICS CORP. AND SHALL NOT BE REPRODUCED, DISTRIBUTED OR USED AS A BASIS FOR MANUFACTURE WITHOUT PRIOR WRITTEN PERMISSION FROM KEYSTONE ELECTRONICS CORP.