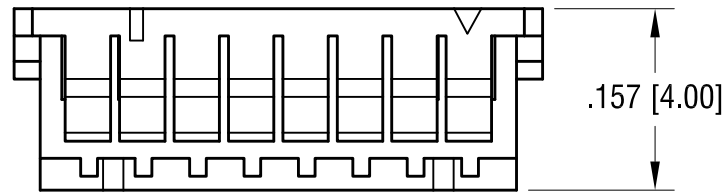
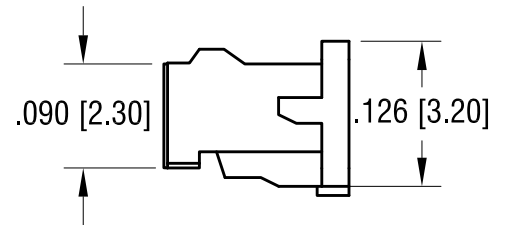
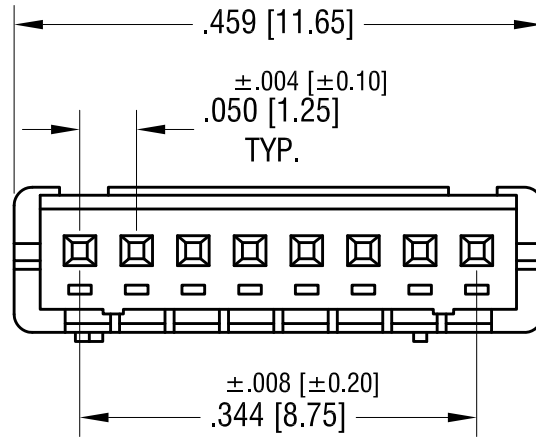
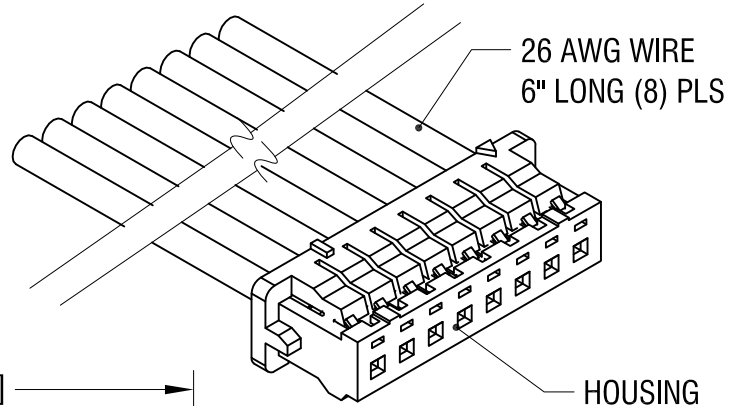
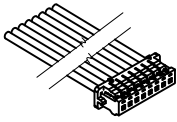


THIS DOCUMENT IS THE PROPERTY OF  
KEYSTONE ELECTRONICS CORP. AND  
SHALL NOT BE REPRODUCED, DISTRIBUTED  
OR USED AS A BASIS FOR MANUFACTURE  
WITHOUT PRIOR WRITTEN PERMISSION  
FROM KEYSTONE ELECTRONICS CORP.

ACTUAL SIZE



NOTE:

- |  |  |
|--|--|
| <p>1. CURRENT RATING: 1A AC, DC<br/>VOLTAGE RATING: 150V AC, DC<br/>TEMPERATURE RANGE: -40°C TO +105°C<br/>CONTACT RESISTANCE: 30mΩ MAX.<br/>INSULATION RESISTANCE: 500MΩ MIN.<br/>WITHSTANDING VOLTAGE : 500V AC/minuts</p> | <p>2. 1.25mm PITCH CRIMP TERMINAL (8PCS)<br/>MAT'L- PHOSPHOR BRONZE<br/>FINISH- TIN PLATE</p> <p>3. HOUSING: MAT'L- NYLON 6/6, UL94V-0<br/>COLOR- GRAY</p> <p>4. WIRE: 26 AWG (WHITE COLOR), 6.00 [152.3] LONG</p> |
|--|--|

|   |                 |                        |             |
|---|-----------------|------------------------|-------------|
| <b>KEYSTONE ELECTRONICS CORP.</b>                               |                 |                        |             |
| www.keyelco.com • ASTORIA, N.Y. 11105-2017 • Tel (718) 956-8900 |                 |                        |             |
| PART NAME   |                 | 8 PIN FEMALE CONNECTOR |             |
| MATERIAL  |                 | AS NOTED               |             |
| FINISH  |                 | DRN BY                 | DATE        |
| AS NOTED  |                 | NT                     | 5.11.16     |
|   |                 | APP'D                  | SCALE       |
|   |                 | LN                     | 6X          |
| TOLERANCES  | INCH [MM]       | CODE                   | DWG NO.     |
| DECIMAL   | ± .010 [± 0.25] | C                      | <b>961H</b> |
| ANGULAR   | ± 1°            |                        |             |
| UNLESS OTHERWISE SPECIFIED                                      |                 |                        |             |

|      |             |      |  |
|------|-------------|------|--|
| DATE | DESCRIPTION | REV. |  |
|------|-------------|------|--|