

“Stay Connected” with



Liquid Tight Cordgrips

a PennEngineering® Company



**NO O-RING
REQUIRED!**

Heyco® -Tite Liquid Tight Cordgrips

Multi-Hole with Integral Sealing Ring

Sequenced by Conductor Size

The Ultimate in Liquid Tight Strain Relief Protection

- Heyco® **Multi-hole glands** provide the widest range of conductor through-hole size and number configurations, many of which are agency approved. See the tabular charts for specific approvals for specific parts. These approvals are not “global” or implied approvals; they are both real and part specific.
- Integral Sealing Ring ensures a superior seal at the clearance or threaded mounting hole location, every time.
- IP 68 rated.
- Cordgrips are made of nylon construction with TPE sealing glands that resist salt water, weak acids, gasoline, alcohol, oil, grease, and common solvents.
- For body part dimensions see page 3-1, 3-3, and 3-4.
- Multi-hole glands are only to be used with Heyco Liquid Tight Cordgrips and are not sold separately.
- Consult Heyco for Cordgrips molded in other colors.

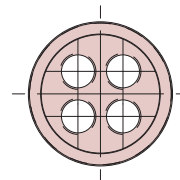
| CONDUCTORS | | NPT HUB* | | PG HUB** | | METRIC HUB** | | |
|---|----------|--------------------|-------------|----------------|------------|----------------|----------|---|
| Hole Size mm. | No. | UL or IEC Part No. | Black Desc. | Black Part No. | Desc. | Black Part No. | Desc. | |
| Round, Open Holes – consult Heyco for Snap-in-2 Hub versions | | | | | | | | |
| 1,4 | 4 | M3228GAP | LTCG 3/8 | M3210GAP | LTCG 9 | M4336GAP | LTCG M16 | |
| | 6 | M3228GAZ | LTCG 3/8 | M3210GAZ | LTCG 9 | M4336GAZ | LTCG M16 | |
| | 10 | M3228GE | LTCG 3/8 | M3210GE | LTCG 9 | M4336GE | LTCG M16 | |
| 1,5 | 2 | M4516GGBA | LTCG 1/4 | M3207GGBA | LTCG 7 | M4332GGBA | LTCG M12 | |
| | 3 | – | – | M3213GF | LTCG 11 | – | – | |
| 1,6 | 5 | M3228GG | LTCG 3/8 | M3210GG | LTCG 9 | M4336GG | LTCG M16 | |
| 1,7 | 2 | M3228GH | LTCG 3/8 | M3210GH | LTCG 9 | M4336GH | LTCG M16 | |
| | 3 | M3228GJ | LTCG 3/8 | M3210GJ | LTCG 9 | M4336GJ | LTCG M16 | |
| | 4 | M3228GK | LTCG 3/8 | M3210GK | LTCG 9 | M4336GK | LTCG M16 | |
| 2,0 | 3 | M3231GL | LTCG 1/2 | M3216GL | LTCG 13 | M4340GL | LTCG M20 | |
| 2,3 | 4 | M3228GM | LTCG 3/8 | M3210GM | LTCG 9 | M4336GM | LTCG M16 | |
| 2,5 | 2 | M3231GN | LTCG 1/2 | M3216GN | LTCG 13 | M4340GN | LTCG M20 | |
| 2,8 | 4 | – | – | M3213GAY | LTCG 11 | – | – | |
| 3,0 | 2 | M3228GP | LTCG 3/8 | M3210GP | LTCG 9 | M4336GP | LTCG M16 | |
| | | – | – | M3213GB | LTCG 11*** | – | – | |
| | | – | – | M3213GP | LTCG 11 | – | – | |
| | 3 | – | – | – | M3213GQ | LTCG 11 | – | – |
| | | M3231GQ | LTCG 1/2 | M3216GQ | LTCG 13 | M4340GQ | LTCG M20 | |
| | | M3200GQ | LTCG LL 1/2 | M3219GQ | LTCG 16 | – | – | |
| | | M3200GR | LTCG LL 1/2 | M3219GR | LTCG 16 | – | – | |
| 6 | M3231GS | LTCG 1/2 | M3216GS | LTCG 13 | M4340GS | LTCG M20 | | |
| | M3200GS | LTCG LL 1/2 | M3219GS | LTCG 16 | – | – | | |
| 3,8 | 2 | M3231GT | LTCG 1/2 | M3216GT | LTCG 13 | M4340GT | LTCG M20 | |
| | 6 | M3200GW | LTCG LL 1/2 | M3219GW | LTCG 16 | – | – | |
| 4,0 | 2 | – | – | M3213GAK | LTCG 11 | – | – | |
| | 3 | M3231GX | LTCG 1/2 | M3216GX | LTCG 13 | M4340GX | LTCG M20 | |
| | | M3200GX | LTCG LL 1/2 | M3219GX | LTCG 16 | – | – | |
| | 4 | M3200GY | LTCG LL 1/2 | M3219GY | LTCG 16 | – | – | |
| | 5 | M3200GZ | LTCG LL 1/2 | M3219GZ | LTCG 16 | – | – | |
| 6 | M3200GGB | LTCG LL 1/2 | M3219GGB | LTCG 16 | – | – | | |

Standard color black.

*Locknuts not included. For Locknut specifications or to order Locknuts separately, see pages 3-47 & 3-48.

**Unassembled Nylon Locknuts INCLUDED.

***Short Thread



Multi-hole Gland (typical)

Quick Specs

| | |
|---------------------|--|
| Material | Nylon 6/6 with TPE Sealing Gland |
| Flammability Rating | 94V-2 Standard |
| Temperature Range | Static -40°F (-40°C) to 239°F (115°C) Dynamic -4°F (-20°C) to 212°F (100°C) |
| IP Rating | IP 68 |

“Stay Connected” with



Liquid Tight Cordgrips

a PennEngineering® Company

**NO O-RING
REQUIRED!**



Heyco®-Tite Liquid Tight Cordgrips

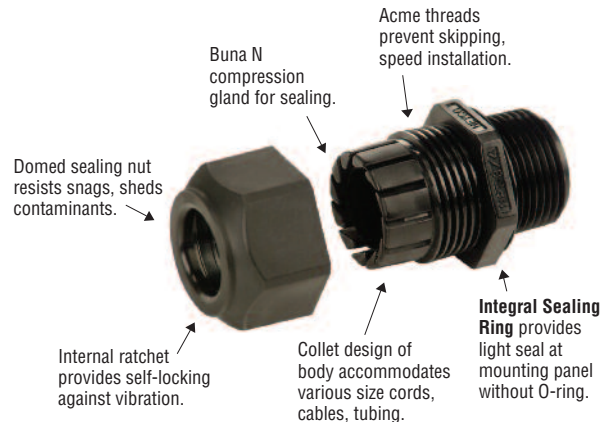
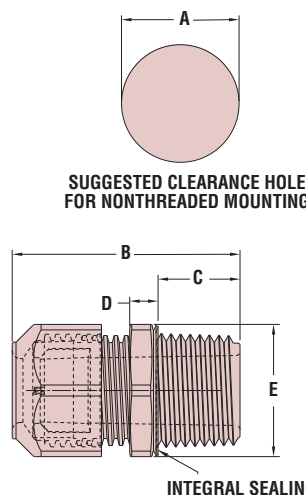
Straight-Thru, NPT Hubs with Integral Sealing Ring

The Ultimate in Liquid Tight Strain Relief Protection

- Integral Sealing Ring ensures a superior seal at the clearance or threaded mounting hole location, every time.
- Widest range of approved cable diameters. Cable ranges listed are for the maximum IP68 sealing range. Contact Heyco for UL approved 514B cable ranges.
- IP 68 rated.
- Approved for **NEMA 4, 4X, 6 and 6P** applications.
- Ratchet design of sealing nut assembly provides superior anti-vibration protection and ensures a firm grip on the cable.
- Acme threads on body prevent skipping and speed installation.
- All nylon construction with Buna N or TPE sealing gland resists salt water, weak acids, gasoline, alcohol, oil, grease, and common solvents. (This feature is not assessed by UL.)
- Multiple sizes for flexible cord diameters ranging from .065" (1,7 mm) to 1.730" (44,0 mm).
- We recommend using the fitting with the smallest maximum diameter that will fit your application.
- **Locknuts not included.** For nylon locknut specifications or to order locknuts separately, see page 3-47.
- For Heyco Liquid Tight Threaded Plugs, see page 3-51.
- Consult Heyco for cordgrips molded in other colors.

| CABLE DIA. RANGE | | | | PART NO. | | DESCRIPTION | UL or RA | PART DIMENSIONS | | | | | | | | | |
|------------------|------|---------|------|----------|---------|--------------|----------|-----------------------|--------------------|-----------------|----------------------|-----|-------------|-----|------|------|------|
| Minimum | | Maximum | | Black | Gray | | | A Clearance Hole Dia. | B Max. O.A. Length | C Thread Length | D Wrenching Nut Thk. | | E Flat Size | | | | |
| in. | mm. | in. | mm. | | | in. | mm. | in. | mm. | in. | mm. | in. | mm. | | | | |
| .065 | 1,7 | .210 | 5,3 | M4514 | M4515 | RLTCG 1/4 | RA | .540 | 13,7 | 1.29 | 32,8 | .45 | 11,4 | .21 | 5,3 | .63 | 16,0 |
| .115 | 2,9 | .250 | 6,4 | M4516 | M4517 | LTCG 1/4 | | | | | | | | | | | |
| .065 | 1,7 | .230 | 5,8 | M3458 | M3459 | RLTCG 3/8 | RA | .680 | 17,3 | 1.41 | 35,8 | .49 | 12,4 | .21 | 5,3 | .82 | 20,8 |
| .105 | 2,7 | .315 | 8,0 | M3228 | M3229 | LTCG 3/8 | | | | | | | | | | | |
| .095 | 2,4 | .290 | 7,4 | M4518 | M4519 | RLTCG 1/2 | UL | .875 | 22,2 | 1.70 | 43,2 | .61 | 15,5 | .21 | 5,3 | .98 | 24,9 |
| .170 | 4,3 | .450 | 11,4 | M3231 | M3232 | LTCG 1/2 | | | | | | | | | | | |
| .180 | 4,6 | .400 | 10,2 | M4520 | M4521 | RLTCG LL 1/2 | UL | .875 | 22,2 | 1.68 | 42,7 | .44 | 11,2 | .25 | 6,4 | 1.06 | 26,9 |
| .260 | 6,6 | .545 | 13,8 | M3200 | M3201 | LTCG LL 1/2 | | | | | | | | | | | |
| .250 | 6,4 | .490 | 12,4 | M3460 | M3461 | RLTCG 3/4 | UL | 1.040 | 26,4 | 2.00 | 50,8 | .62 | 15,7 | .25 | 6,4 | 1.30 | 33,0 |
| .420 | 10,7 | .630 | 16,0 | M3234GA | M3235GA | LTCG 3/4 | | | | | | | | | | | |
| .435 | 11,0 | .705 | 17,9 | M3234 | M3235 | | | | | | | | | | | | |
| .490 | 12,4 | .785 | 19,9 | M8439 | M8440 | RLTCG 1 | UL | 1.326 | 33,7 | 2.41 | 61,2 | .76 | 19,3 | .30 | 7,6 | 1.73 | 43,9 |
| .590 | 15,0 | 1.000 | 25,4 | M8437 | M8438 | LTCG 1 | | | | | | | | | | | |
| .787 | 20,0 | 1.020 | 25,9 | M4522 | M4523 | RLTCG 1-1/4 | UL | 1.680 | 42,7 | 2.69 | 68,3 | .78 | 19,8 | .30 | 7,6 | 2.05 | 52,1 |
| .865 | 22,0 | 1.260 | 32,0 | M4524 | M4525 | LTCG 1-1/4 | | | | | | | | | | | |
| 1.000 | 25,4 | 1.240 | 31,5 | M3319 | M3320 | RLTCG 1-1/2 | UL | 1.920 | 48,8 | 2.81 | 71,3 | .77 | 19,6 | .36 | 9,1 | 2.46 | 62,5 |
| 1.230 | 31,2 | 1.560 | 39,6 | M3317 | M3318 | LTCG 1-1/2 | | | | | | | | | | | |
| 1.160 | 29,5 | 1.350 | 34,3 | M3323 | M3324 | RLTCG 2 | UL | 2.400 | 60,8 | 2.93 | 74,3 | .79 | 20,1 | .42 | 10,7 | 2.73 | 69,3 |
| 1.450 | 36,8 | 1.730 | 43,9 | M3321 | M3322 | LTCG 2 | | | | | | | | | | | |

Standard colors black and gray.



| | |
|---------------------|--|
| Material | Nylon 6/6 w/Buna N or TPE Sealing Gland |
| Certifications | <ul style="list-style-type: none"> UL Listed under Underwriters' Laboratories File E51579 RA Recognized under the Component Program of Underwriters' Laboratories File E51579 SF Certified By Canadian Standard Association File 93876C |
| Flammability Rating | 94V-2-Consult factory for V0 material |
| Temperature Range | Static -40°F (-40°C) to 239°F (115°C) Dynamic -4°F (-20°C) to 212°F (100°C) |
| IP Rating | IP 68 (70 PSI, 5 BAR) |

*Quick
Specs*