

“Stay Connected” with



HEYware Products

a PennEngineering® Company

## Heyco® Nytye® Mounting Platforms

### Push Mount Platforms

MAX. TENSILE STRENGTH		MOUNTING HOLE DIA.		MAX. PANEL THICKNESS*		INSERT POINTS	PART NO.	DESCRIPTION	PART DIMENSIONS					
Lbs.	N	in.	mm.	in.	mm.				A		B		C	
<b>Arrowhead Mount</b>														
50	222	.19	4,8	.08	2,0	2	<b>4266</b>	MP PM-19	.56	14,3	.24	6,1	.63	15,9
		.25	6,4	.11	2,8	2	<b>3762</b>	MP PM-25	.63	15,9	.28	7,1	.69	17,5
		.26	6,7	.35	9,0	2	<b>4267</b>	MP PM-26	.80	20,2	.31	7,9	.82	20,9
<b>Blind Head Mount*</b>														
40	178	.31	7,9	.25	6,4	2	<b>4268</b>	MP PMB-31	.43	11,0	.33	8,3	.52	13,1
<b>Reverse Button Mount</b>														
50	222	.25	6,4	.13	3,2	2	<b>3592</b>	MP R-2	.42	10,7	.15	3,8	.41	10,3

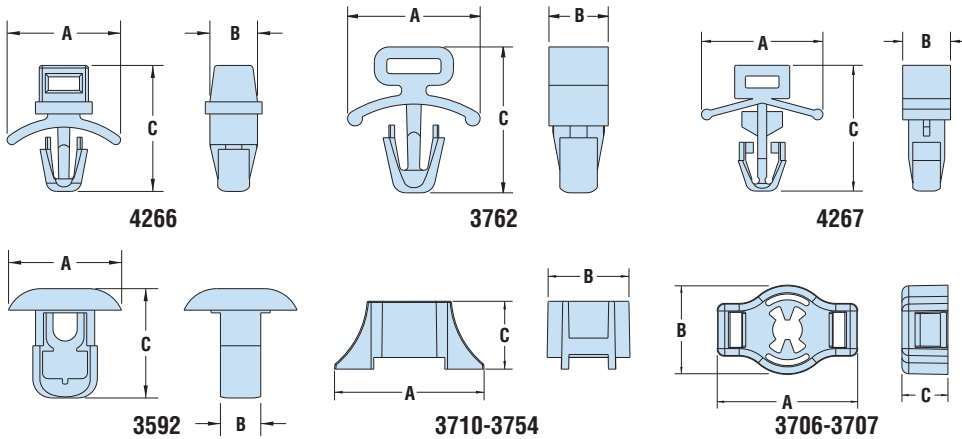
\*Minimum Panel Thickness for Blind Mount Platforms

### Snap Over Bolt Platforms

MAX. TENSILE STRENGTH		INSERT POINTS	BOLT SIZE		PART NO.	DESCRIPTION	PART DIMENSIONS						
Lbs.	N		in.	mm.			Black	A		B		C	
<b>NEW!</b> <b>NEW!</b>	50	222	2	#10	5,0	<b>3706</b>	MP S-M5*	.96	24,4	.60	15,2	.32	8,1
				1/4	6,0	<b>3707</b>	MP S-M6						
120	534	2	2	1/2	12,0	<b>3710</b>	MP S-1/2	2.31	58,7	1.25	31,8	1.05	26,7
				9/16	14,0	<b>3711</b>	MP S-9/16						
				5/8	16,0	<b>3754</b>	MP S-5/8						

Standard color black.

\*3706 will also work with the PEM X-Press 5 mm stud.



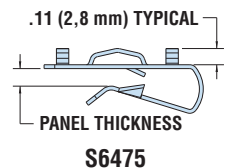
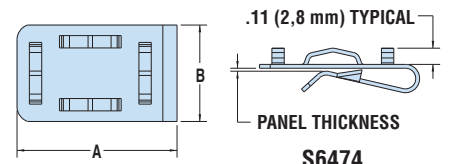
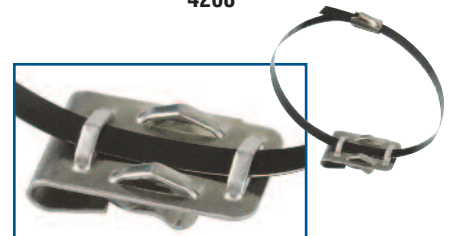
- Multiple sizes, strengths, and mounting options anchor Nytyes® securely.
- Five Types:
  - 1) Flat - Adhesive-Back and Screw Mounts
  - 2) Saddle - Screw Mount only
  - 3) Push Mount - Arrowhead and Blind Mounts
  - 4) Snap Over Bolt
  - 5) Stainless Steel Clip
- Rubber based adhesive effective up to 126°F (52°C).
- Apply Adhesive-Backed parts to a clean, dry surface.
- For Push Mount and Snap Over Bolt Platform Quick Specs, see page 7-68.

### Stainless Steel Edge Clip Platforms

**ALL NEW PRODUCTS**

MAX. CABLE TIE WIDTH*		PANEL THICKNESS RANGE				INSERT POINTS	PART NO.	DESCRIPTION	PART DIMENSIONS					
in.	mm.	Minimum	Maximum	in.	mm.				A		B		C	
.31	8,0	.06	1,5	.12	3,0	4	<b>S6474</b>	SunRunner CT	1.03	26,2	.63	16,0	.77	19,5
		.12	3,0	.25	6,4	4	<b>S6475</b>	SunRunner CT-EZ						

\*Edge Clip Platforms SunRunner CT and CT-EZ fit all Heyco Stainless Steel Cable Ties, see page 7-69



Material .025" Thick 304 stainless steel (CT & CT-EZ)  
 Certifications Certified by UL for Compliance with both Canadian and US Requirements under File E54523