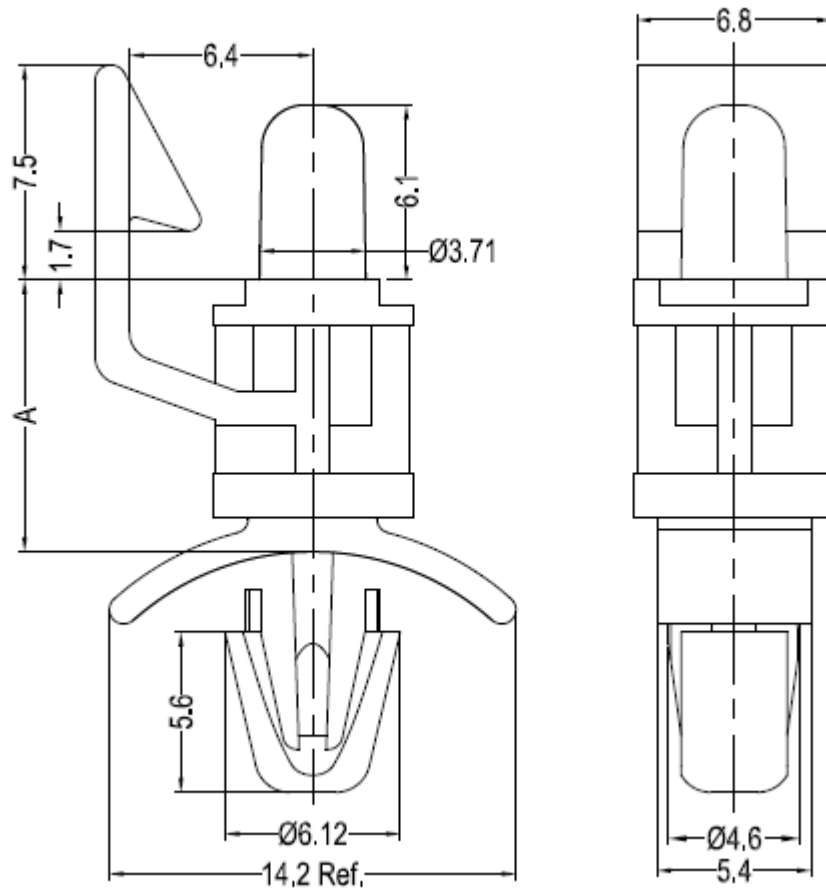


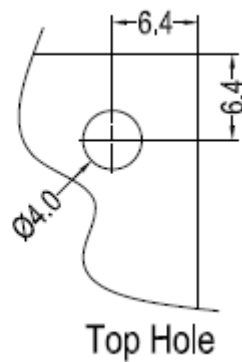
Part Number: 10180

Description: Edge-Holding Circuit Board Support



Notes:

1. Color: Natural;
2. RoHS Compliant;
3. Top Hole: $\text{Ø}4.0 \pm 0.08$ mm,
Panel Thickness: 1.57 mm;
4. Bottom Hole: $\text{Ø}4.75 \pm 0.08$ mm,
Panel Thickness: 0.79-1.98 mm;



A: 12.7 mm

Material: PA66 UL94V2 Natural