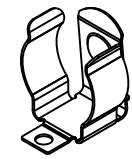
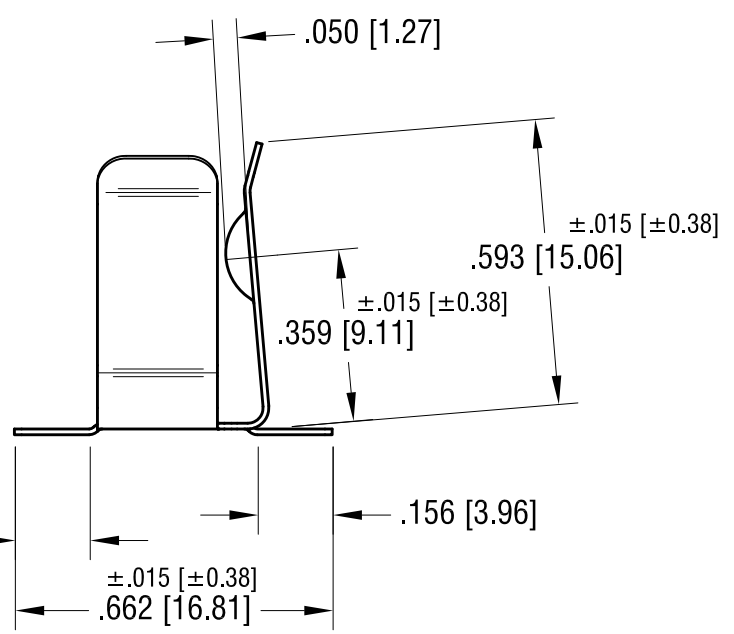
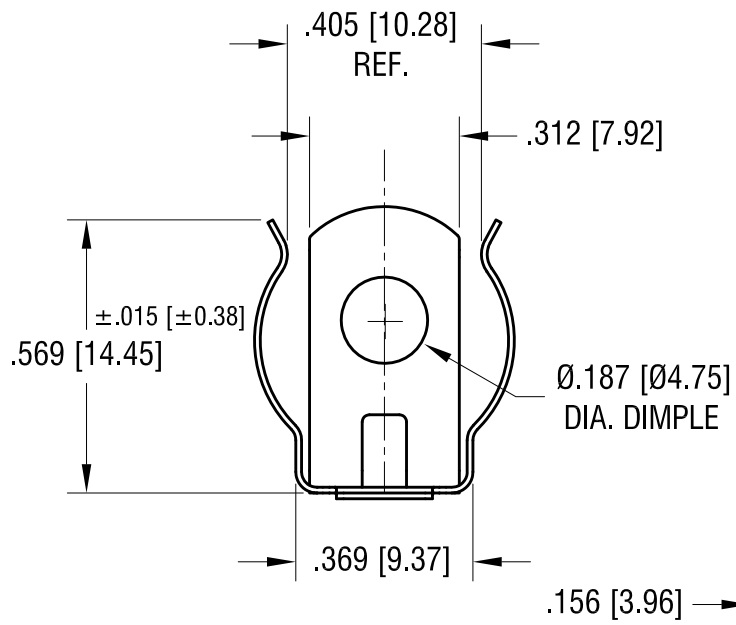
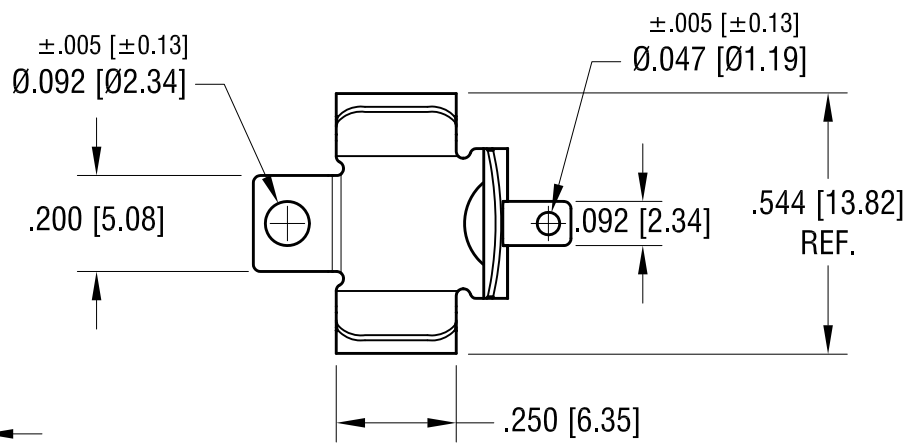
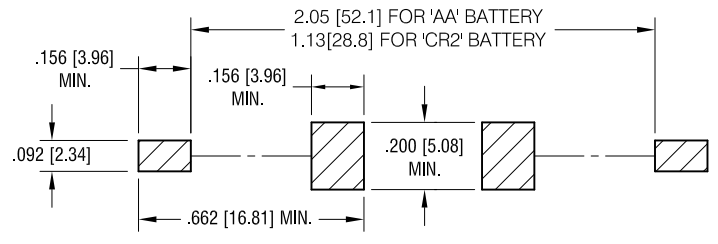


THIS DOCUMENT IS THE PROPERTY OF KEYSTONE ELECTRONICS CORP. AND SHALL NOT BE REPRODUCED, DISTRIBUTED OR USED AS A BASIS FOR MANUFACTURE WITHOUT PRIOR WRITTEN PERMISSION FROM KEYSTONE ELECTRONICS CORP.

ACTUAL SIZE



MOUNTING PAD LAYOUT. REQUIRED SPACING FOR 'A' OR 'AA' BATTERIES



NOTE:
1. HEAT TREAT TO SPRING TEMPER.

KEYSTONE ELECTRONICS CORP.

www.keyelco.com • NEW HYDE PARK, NY 11040 • Tel (516) 328-7500

PART NAME 'CR2' & 'AA' BATTERY HOLDER

MATERIAL .012 [0.30] TH'K ANNEALED SPRING STEEL

FINISH TIN NICKEL PLATE
DRN BY NT DATE 10.16.08
APP'D RH SCALE 2.5X

TOLERANCES INCH [MM] CODE DWG NO.
DECIMAL ±.010 [±0.25] C
ANGULAR ± 2°
UNLESS OTHERWISE SPECIFIED

10.06.16	CHANGE AS PER ECR 16-067	C
10.20.09	CHANGE AS PER ECN 99-152	B
1.05.09	CHANGE AS PER ECN 09-001	A
DATE	DESCRIPTION	REV.

53