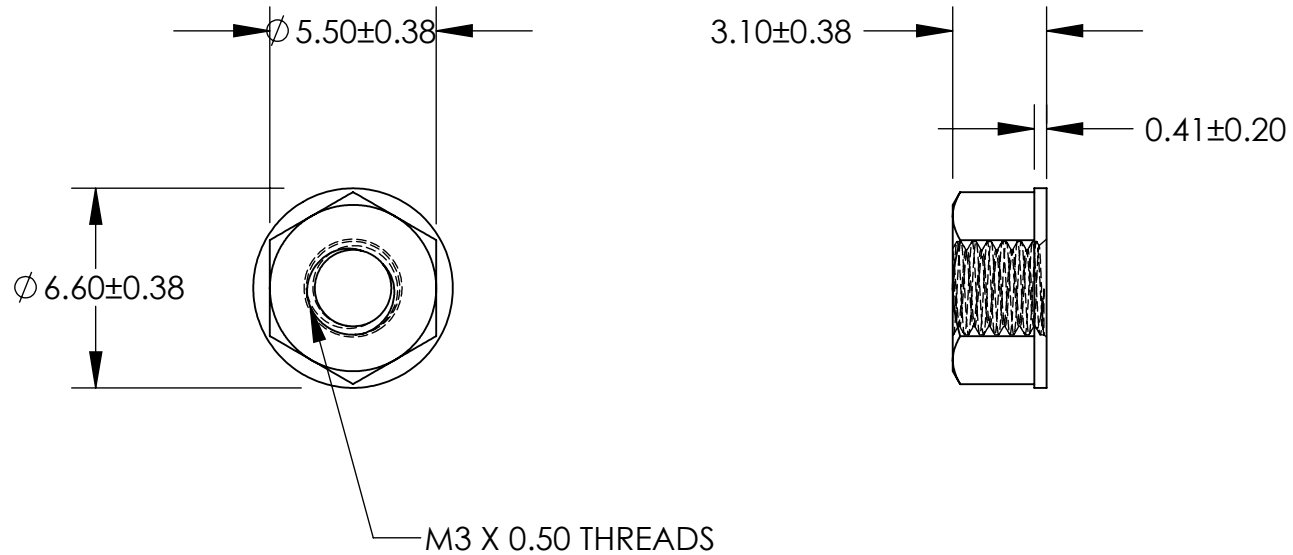


UNCONTROLLED DOCUMENT



ALL DIMENSIONS ARE IN MILLIMETERS
TOLERANCES UNLESS NOTED

- $\pm .13$ MM ON DIMENSIONS THRU 15.88MM
- $\pm .20$ MM ON DIMENSIONS 15.89MM THRU 25.41MM
- $\pm .25$ MM ON DIMENSIONS 25.42MM THRU 38.10MM
- $\pm .38$ MM ON DIMENSIONS LARGER THAN 38.10MM

**WE RESERVE THE RIGHT
TO DISCONTINUE ITEMS,
CHANGE SPECIFICATIONS
OR DESIGN AT ANY TIME
WITHOUT NOTICE AND
WITHOUT INCURRING
ANY OBLIGATIONS**

PROPERTY OF
MICRO PLASTICS INC.

CATALOG DRAWING
METRIC HEX NUT WITH WASHER FACE
MICRO P/N 04M030050WFHN
DWG. # 04M030050WFHN
FILE SERVER\ENG\WEB

MATERIAL: NYLON 6/6

DATE

SCALE
4:1

TA