

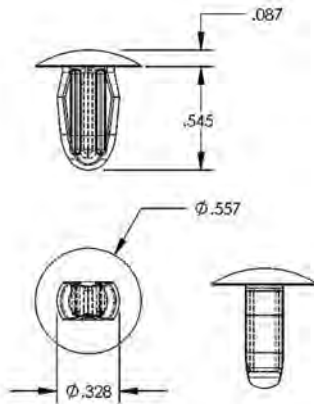
PANEL FASTENERS AND HOLE PLUGS

SECTION
VI

"SPECIAL ITEMS" ARROW CLIPS

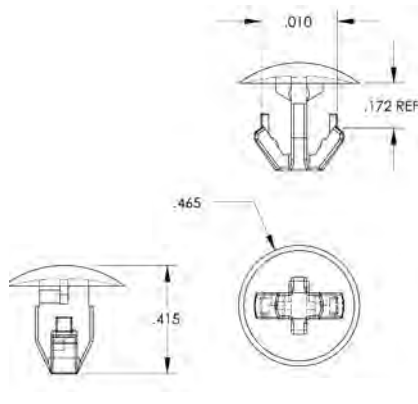
Molded in **Natural Nylon 6/6**

Special Item Arrow Clips are designed to provide unique fasteners for assembly applications where larger panel thicknesses and or mounting diameters combined with increased fastening strength is required.



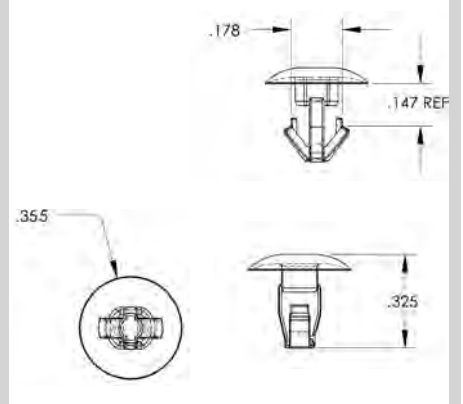
Hole Size .312 (7,92)
Panel Thickness .062/.125 (1,57/3,17)

PART NUMBER 401048



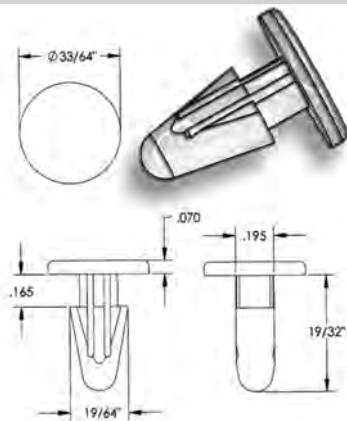
Hole Size .250 (6,35)
Panel Thickness .172 (4,36)

PART NUMBER 401044



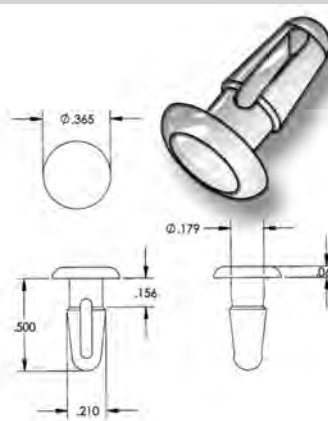
Hole Size .156 (3,96)
Panel Thickness .147 (3,73)

PART NUMBER 401045



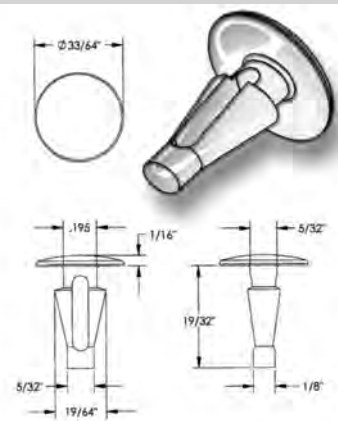
Hole Size .250 (6,35)
Panel Thickness .156 (3,96)

PART NUMBER 401010



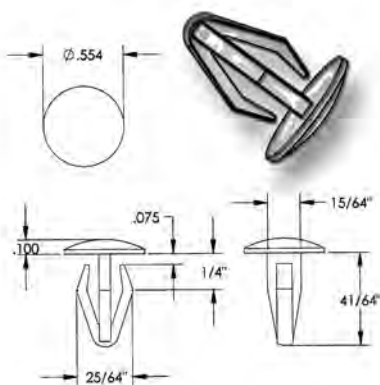
Hole Size .190 (4,82)
Panel Thickness .156 (3,96)

PART NUMBER 401011



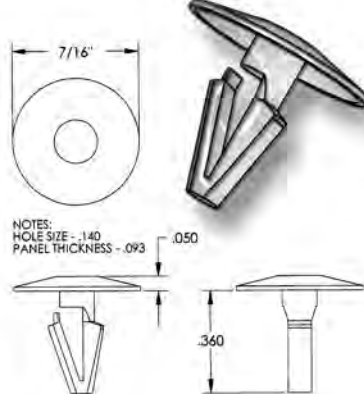
Hole Size .285 (7,23)
Panel Thickness .125 (3,17)

PART NUMBER 401014



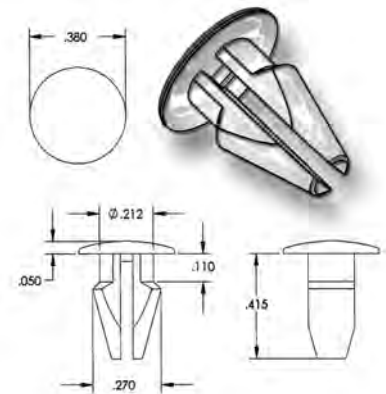
Hole Size .312 (7,92)
Panel Thickness .219 (5,56)

PART NUMBER 401006



Hole Size .140 (3,55)
Panel Thickness .093 (2,36)

PART NUMBER 401032



Hole Size .250 (6,35)
Panel Thickness .125 (3,17)

PART NUMBER 401033